

Data sheet

OpDAT 24 PA 1RU patch panel withdrawable 6xSC-D MM (ceramic) pigtails OM2 placed and stripped

Page 1/5

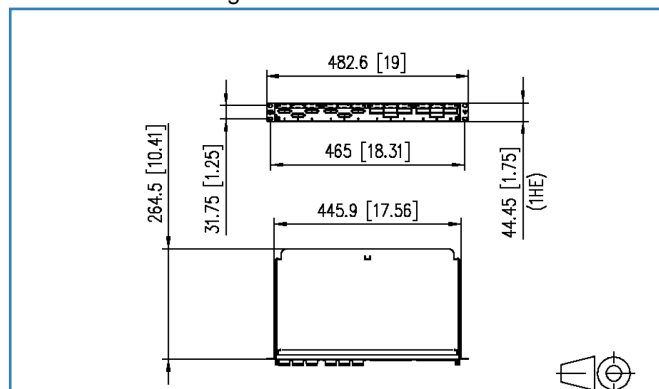
P/N
1502225206-E
EAN 4250184108924

2015-22-06

Illustrations



Dimensional drawing



See enlarged drawings at the end of document

Product specification

- 19 inch 1RU fiber optic patch panel with pull-out splice tray / front cover
- splice tray of withdrawable patch panel tilts and is completely removable to facilitate fitting (end stop)
- light aluminum construction
- equipped with SC-D couplers (metal)
- unused cutouts are closed by blank plugs
- variable cable entry (straight / inclined) from both sides possible
- cable arrest with supplied cable tie or optional cable screw connection also possible
- cable diameter from 3 to 20 mm
- strain relief for central element / Kevlar
- cable management by means of freely positionable guide elements
- screwless cover
- label window for enclosed identification labels
- Semi-tight buffered fiber dia. 0.9 mm, 12 colors, secondary and primary coating in the same color, length 2.0 m
- pigtails inserted and stripped in standard splice trays with crimp splice holders
- pigtails are cleaned and plugged in couplers
- variants: equipped with 6 or 12 SC-D couplers and pigtails each made of metal (OS2) or metal (OM2)

Data sheet

Page 2/5

**OpDAT 24 PA 1RU patch panel withdrawable
6xSC-D MM (ceramic) pigtailed OM2 placed and stripped**

P/N

1502225206-E

EAN 4250184108924

2015-22-06

Technical Data

| General Data | |
|--|---|
| Fields of application | Structured building cabling, Data center |
| Design | patch panel |
| Mounting style | 1RU |
| Transmission technology | Fiber optic |
| Port numbering | yes |
| Color | metallike |
| Dimensions | |
| Dimension (L x W x H) | 264.50 x 482.60 x 44.45 mm |
| Dimension (L x W x H) | 10.41 x 19.00 x 1.75 in. |
| Inches | 19 inches |
| Height unit | 1RU |
| Number of cables/ cores | 12 |
| Cable Type | pigtail(s) |
| Fiber class | OM2 bend sensitive (ISO/IEC 11801/EN 50173 & IEC 60793-2-10/EN 60793-2-10 A1.a.1) |
| Mode type of the fiber | Multimode |
| Labeling option | label window with identification label + printed numbers |
| Connections/interfaces | |
| Connector technology interface 1 | SC-D Couplers |
| Connector technology interface 2 | SC-D Couplers |
| Number of ports interface 1 | 12 |
| Number of ports interface 2 | 12 |
| Number of equipped ports interface 1 | 6 |
| Number of ports interface 2 equipped | 6 |
| Number of ports with dust protection interface 2 | 6 |
| Number of blind covers interface 2 | 6 |
| Semi-tight buffered fiber pigtail length | 2.00 m |
| Semi-tight buffered fiber pigtail length | 6.56 ft |
| Semi-tight buffered fiber pigtail diameter | 0.90 mm |
| Semi-tight buffered fiber pigtail diameter | 0.04 in. |
| Cable access/outlet | variable, straight / inclined, from both sides possible |

**OpDAT 24 PA 1RU patch panel withdrawable
6xSC-D MM (ceramic) pigtailed OM2 placed and stripped**

P/N

1502225206-E

EAN 4250184108924

2015-22-06

Technical Data

Electrical characteristics

| | |
|----------------|-------------|
| Insertion loss | max. 0.4 dB |
| Return loss | min. 20 dB |

Mechanical characteristics

| | |
|--------------------------------|------------------|
| Cut-out | SC-D, LC-Q, ST-D |
| Connector type | Duplex |
| Life - Number of mating cycles | min. 1000 |
| Strain relief | yes |

Materials and material properties

| | |
|----------------------------|-----------------------|
| Material - Coupler housing | GD-Zn (zinc die-cast) |
| Material - Front cover | Al (Aluminium) |
| Material - Sleeve | ceramic, slotted |

Approvals

| | |
|------|-----------|
| RoHS | compliant |
|------|-----------|

The product meets the following standards

| | |
|----------------------------------|----------------|
| Fibre optic connector interfaces | DIN EN 61754-4 |
|----------------------------------|----------------|

Classifications

| | |
|----------|----------|
| ETIM 5.0 | EC001130 |
|----------|----------|

Packing details

| | |
|---------------------------------|----------------------------|
| Type of packaging | 1 pc(s) / box |
| Packaging unit - Weight (gram) | 2275.00 g |
| Packaging unit - Weight (pound) | 5.02 lb |
| Packaging dimension (W x H x D) | 523.00 x 361.00 x 45.00 mm |
| Packaging dimension (W x H x D) | 20.59 x 14.21 x 1.77 in. |

Data sheet

Page 4/5

**OpDAT 24 PA 1RU patch panel withdrawable
6xSC-D MM (ceramic) pigtails OM2 placed and stripped**

P/N

1502225206-E

EAN 4250184108924

2015-22-06

Accessories

| P/N | Designation |
|-----------|--|
| 899789-01 | Label sheet for E-DAT C6 and E-DAT design patch panels |

© 2015 METZ CONNECT - Technische Änderungen vorbehalten! Subject to modifications! Sous réserve de modifications techniques!



Data sheet

Page 5/5

**OpDAT 24 PA 1RU patch panel withdrawable
6xSC-D MM (ceramic) pigtailed OM2 placed and stripped**

P/N

1502225206-E

EAN 4250184108924

2015-22-06

Illustrations

Dimensional drawing

