

Data sheet

OpDAT 24 PA 1RU patch panel withdrawable for 12xSC-D, unequipped

Page 1/5

P/N

1502205200-E

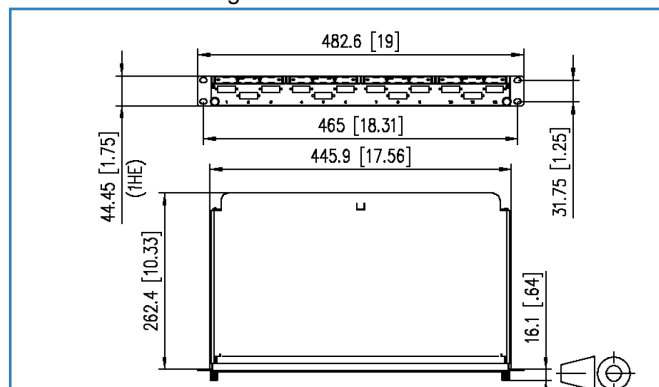
EAN 4250184108825

2015-29-06

Illustrations



Dimensional drawing



See enlarged drawings at the end of document

Product specification

- 19" 1RU fiber optic patch panel with pull-out splice tray / front cover
- splice tray can be removed completely for better mounting (pull-out stop)
- light aluminum construction
- unequipped
- variable cable entry (straight / inclined) from both sides possible
- cable support by means of cable ties or cable gland (accessories)
- cable diameter from 3 to 20 mm
- strain relief for central element / Kevlar
- cable management by means of freely positionable guide elements
- snap-on cover for easy access during service work
- label window for enclosed identification labels
- variants: recesses for 24 LC-D/E2000, 12 SC-D/Q-LC or for 24 ST couplers

Data sheet

Page 2/5

**OpDAT 24 PA 1RU patch panel withdrawable
for 12xSC-D, unequipped**

P/N

1502205200-E

EAN 4250184108825

2015-29-06

Technical Data

General Data

Fields of application	Office
Design	patch panel
Color	anodized alu.
Dimensions	
Dimension (L x W x H)	262.40 x 482.60 x 44.45 mm
Dimension (L x W x H)	10.33 x 19.00 x 1.75 in.
Inches	19 inches
Height unit	1RU
Labeling option	label window with identification label + printed numbers

Connections/interfaces

Connector technology interface 1	SC-D
Number of ports interface 1	12
Number of equipped ports interface 1	0
Connector technology interface 2	SC-D
Number of ports interface 2	12
Number of ports interface 2 equipped	0
Cable sheath diameter (min. - max.)	
Cable sheath diameter	3.00 - 20.00 mm
Cable sheath diameter	0.12 - 0.79 in.
Cable access/outlet	straight or inclined, on the rear, from the left and right

Mechanical characteristics

Cut-out	SC-D, Q-LC
Strain relief	cable tie

Materials and material properties

Material - Housing	Al (Aluminium)
Material - Front cover	Al (Aluminium)
Material - Front cover finish	anodized
Material - Cover	Al (Aluminium)



Data sheet

Page 3/5

OpDAT 24 PA 1RU patch panel withdrawable for 12xSC-D, unequipped

P/N

1502205200-E

EAN 4250184108825

2015-29-06

Technical Data

Environmental conditions

Temperature (min. - max.)

Temperature - Storage °C -40 - 70 °C

Temperature - Storage °F -40 - 158 °F

Temperature - Operating °C -40 - 70 °C

Temperature - Operating °F -40 - 158 °F

Certifications

Gost Certification yes

Approvals

RoHS compliant

Classifications

ETIM 5.0 EC001130

Packing details

Type of packaging 1 pc(s) / box

Packaging unit - Weight (gram) 2405.00 g

Packaging unit - Weight (pound) 5.30 lb

Packaging dimension (W x H x D) 523.00 x 361.00 x 45.00 mm

Packaging dimension (W x H x D) 20.59 x 14.21 x 1.77 in.

OpDAT 24 PA 1RU patch panel withdrawable for 12xSC-D, unequipped

P/N

1502205200-E

EAN 4250184108825

2015-29-06

Accessories

P/N	Designation
15090051-I	OpDAT ST-D coupler MM (ceramic)
15090053-I	OpDAT SC-D/ST coupler MM (ceramic)
1509010000-E	OpDAT splice tray for 12 splices unequipped
899789-01	Label sheet for E-DAT C6 and E-DAT design patch panels
15090071-I	OpDAT Q-LC-coupler SM (ceramic)
150900C2-I	OpDAT SC-D coupler MM (Ph-Br)
150900D2-I	OpDAT SC-D coupler SM (ceramic)
15090041-I	OpDAT ST-D coupler MM (Ph-Br)
150900C3-I	OpDAT SC-D/ST coupler MM (Ph-Br)
15090072-I	OpDAT Q-LC coupler MM (Ph-Br)
1509007A-I	OpDAT Q-LC-coupler SM APC (ceramic)
15090078-I	OpDAT Q-LC coupler MM (ceramic)
15090079-I	OpDAT Q-LC coupler MM (ceramic)
150900BA-I	OpDAT SC-D coupler MM (Ph-Br)
150900BB-I	OpDAT SC-D coupler MM (Ph-Br)
150900B2-I	OpDAT SC-D coupler MM (ceramic)
150900E2-I	OpDAT SC-D coupler SM (ceramic)
150900F2-I	OpDAT SC-D coupler SM APC (ceramic)
150922EO00-E	OpDAT pre-assembled splice tray 12xSC-PC OM2 with crimp splice protection
150925EO00-E	OpDAT pre-assembled splice tray 12xSC-PC OM3 with crimp splice protection
150929EO00-E	OpDAT pre-assembled splice tray 12xSC-UPC OS2 with crimp splice protection



Data sheet
**OpDAT 24 PA 1RU patch panel withdrawable
 for 12xSC-D, unequipped**

Illustrations

Dimensional drawing

