

Data sheet

Page 1/5

OpDAT 24 PF 1RU patch panel fixed installation 12xST MM (Ph-Br) pigtails OM2 placed and stripped

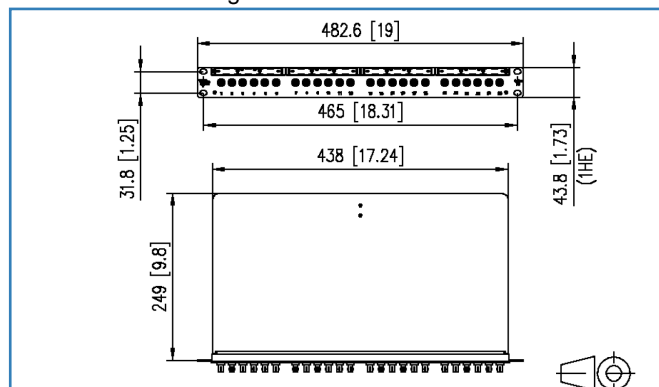
P/N
1502023112-E
EAN 4250184116813

2015-19-06

Illustrations



Dimensional drawing



See enlarged drawings at the end of document

Product specification

- 19 inch 1RU fiber optic patch panel for fixed installation
- light aluminum construction
- equipped with ST couplers (metal)
- unused cutouts are closed by blank plugs
- removable front plate for easy adapter mounting
- variable cable entry (straight / inclined) from both sides possible
- cable relief with supplied cable tie or optional cable gland also possible
- cable diameter from 3 to 20 mm
- strain relief for central element / Kevlar
- cable management by means of freely positionable guide elements
- snap-on cover for easy access during service work
- label window for enclosed identification labels
- Semi-tight buffered fiber dia. 0.9 mm, 12 colors, secondary and primary coating in the same color, length 2.0 m
- pigtails inserted and stripped in standard splice trays with crimp splice holders
- pigtails are cleaned and plugged in couplers
- variants: equipped with 12 or 24 ST couplers each made of metal (OS2 ceramic), metal (OM3 ceramic), metal (OM2 ceramic) or metal (OM2 Ph-Br)



Data sheet

**OpDAT 24 PF 1RU patch panel fixed installation
12xST MM (Ph-Br) pigtails OM2 placed and stripped**

P/N
1502023112-E
EAN 4250184116813

2015-19-06

Technical Data

General Data

Fields of application	Structured building cabling, Data center
Design	patch panel
Mounting style	1RU
Transmission technology	Fiber optic
Port numbering	yes
Color	metallike
Dimensions	
Dimension (L x W x H)	260.90 x 482.60 x 44.45 mm
Dimension (L x W x H)	10.27 x 19.00 x 1.75 in.
Inches	19 inches
Height unit	1RU
Number of cables/ cores	12
Cable Type	pigtail(s)
Fiber class	OM2 bend sensitive (ISO/IEC 11801/EN 50173 & IEC 60793-2-10/EN 60793-2-10 A1.a.1)
Mode type of the fiber	Multimode
Labeling option	label window with identification label + printed numbers

Connections/interfaces

Connector technology interface 1	ST Couplers
Connector technology interface 2	ST Couplers
Number of ports interface 1	24
Number of ports interface 2	24
Number of equipped ports interface 1	12
Number of ports interface 2 equipped	12
Number of ports with dust protection interface 2	12
Number of blind covers interface 2	12
Semi-tight buffered fiber pigtail length	2.00 m
Semi-tight buffered fiber pigtail length	6.56 ft
Semi-tight buffered fiber pigtail diameter	0.90 mm
Semi-tight buffered fiber pigtail diameter	0.04 in.
Cable access/outlet	variable, straight / inclined, from both sides possible

**OpDAT 24 PF 1RU patch panel fixed installation
12xST MM (Ph-Br) pigtails OM2 placed and stripped**

P/N
1502023112-E
EAN 4250184116813

2015-19-06

Technical Data

Electrical characteristics

Insertion loss	max. 0.4 dB
Return loss	min. 20 dB

Mechanical characteristics

Cut-out	ST
Connector type	Simplex
Life - Number of mating cycles	min. 2000
Strain relief	yes

Materials and material properties

Material - Coupler housing	GD-Zn (zinc die-cast)
Material - Front cover	Al (Aluminium)
Material - Sleeve	PhBr, slotted

Approvals

RoHS	compliant
------	-----------

The product meets the following standards

Fibre optic connector interfaces	DIN EN 61754-2
----------------------------------	----------------

Classifications

ETIM 5.0	EC001130
----------	----------

Packing details

Type of packaging	1 pc(s) / box
Packaging unit - Weight (gram)	2075.00 g
Packaging unit - Weight (pound)	4.57 lb
Packaging dimension (W x H x D)	523.00 x 361.00 x 45.00 mm
Packaging dimension (W x H x D)	20.59 x 14.21 x 1.77 in.



Data sheet

Page 4/5

**OpDAT 24 PF 1RU patch panel fixed installation
12xST MM (Ph-Br) pigtails OM2 placed and stripped**

P/N

1502023112-E

EAN 4250184116813

2015-19-06

Accessories

P/N	Designation
899789-01	Label sheet for E-DAT C6 and E-DAT design patch panels



Data sheet

Page 5/5

**OpDAT 24 PF 1RU patch panel fixed installation
12xST MM (Ph-Br) pigtails OM2 placed and stripped**

P/N

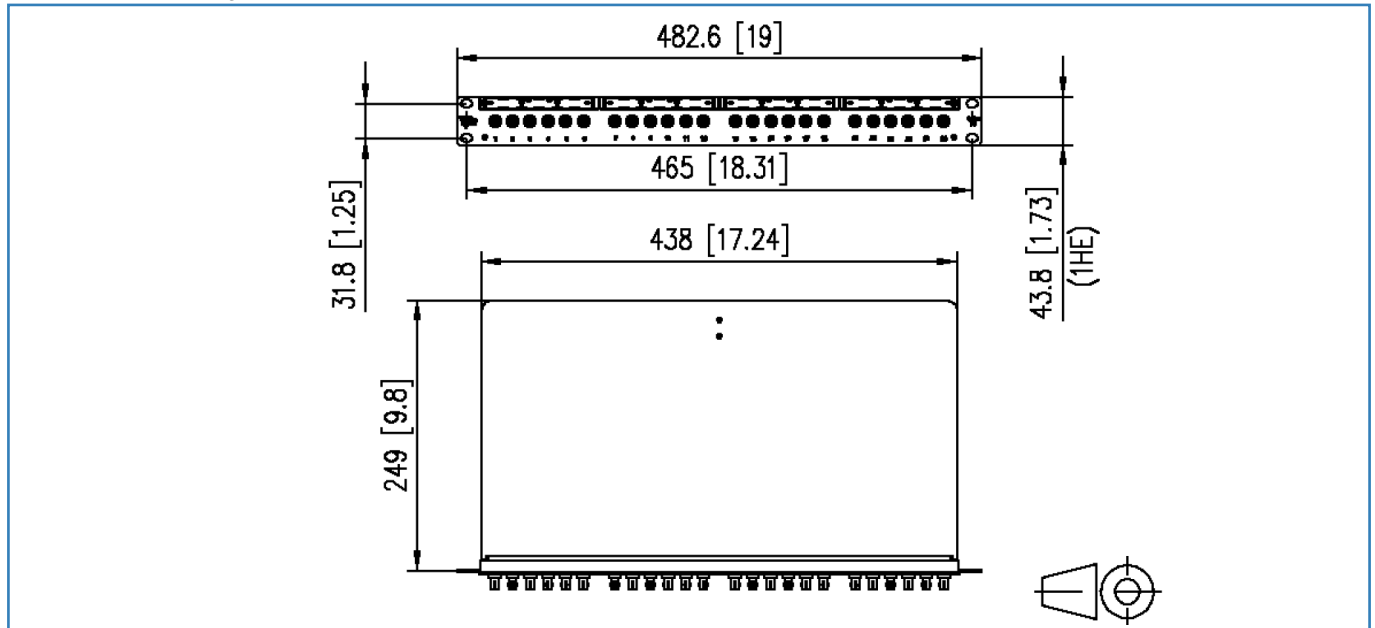
1502023112-E

EAN 4250184116813

2015-19-06

Illustrations

Dimensional drawing



© 2015 METZ CONNECT - Technische Änderungen vorbehalten! Subject to modifications! Sous réserve de modifications techniques!

