

Data sheet

OpDAT Industry IP67 2SC SM plug

Page 1/4

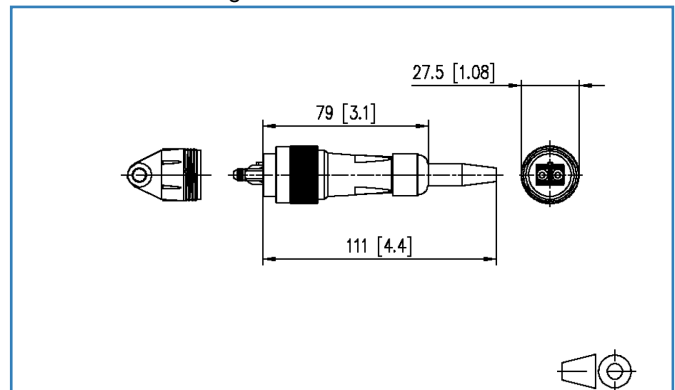
P/N
1501716311-E
EAN 4250184110996

2015-30-06

Illustrations



Dimensional drawing



See enlarged drawings at the end of document

Product specification

- 2SC plug with fine thread with 2 retrofittable electrical socket contacts for AWG 22-24
- IP67 fiber optic plug system for rough environments and industrial applications to ISO/IEC 24702 (draft)
- suitable for optical fibers SM and MM as well as POF
- plug can be assembled in the field with SC plug tool
- protection of plug-in ferrules by means of flexible sleeve
- solid screw connection
- plug with metal housing, crush-resistant, with captive screw-on IP67 protective cap with eye as threading aid
- preassembled IP67 patch cables on request
- variants: 2SC SM and 2SC MM (also for POF)

Data sheet
OpDAT Industry IP67 2SC SM plug

Technical Data

General Data

Fields of application	Harsh environment
Design	Plugs
Transmission technology	Fiber optic
Color	black
Color protective housing	black
Dimensions	
Dimension (L x W x H)	130.00 x 27.00 x 27.00 mm
Dimension (L x W x H)	5.12 x 1.06 x 1.06 in.
Mode type of the fiber	Single mode

Connections/interfaces

Connector technology interface 1	Fast Cure
Connector technology interface 2	SC
Protective housing interface 1	yes
Protective housing interface 2	yes
Cable access/outlet	180°

Mechanical characteristics

Cut-out	SC, LC-D, E2000
Life - Number of mating cycles	min. 1000
IP67-protective cap	captive

Materials and material properties

Material - Housing	metal
Material - Protective housing	Plastics

Environmental conditions

Particulate ingress	IP6X with protective housing
Liquid ingress/immersion	IPX7 with protective housing



Data sheet
OpDAT Industry IP67 2SC SM plug

Page 3/4

P/N
1501716311-E
EAN 4250184110996

2015-30-06

Technical Data

Certifications

Gost Certification yes

Approvals

RoHS compliant

The product meets the following standards

Generic cabling systems	
Industrial area	ISO/IEC 24702 AMD 1 DIN EN 50173-3: 2011-09 TIA/EIA 1005
Degrees of Protection Provided by Enclosures	IEC 60529:2014-09

Classifications

ETIM 5.0 EC001122

Packing details

Type of packaging	1 pc(s) / plastic bag
Packaging unit - Weight (gram)	100.00 g
Packaging unit - Weight (pound)	0.22 lb

© 2015 METZ CONNECT - Technische Änderungen vorbehalten! Subject to modifications! Sous réserve de modifications techniques!

**Data sheet
OpDAT Industry IP67 2SC SM plug**

Page 4/4

P/N
1501716311-E
EAN 4250184110996

2015-30-06

Illustrations

Dimensional drawing

