

Data sheet

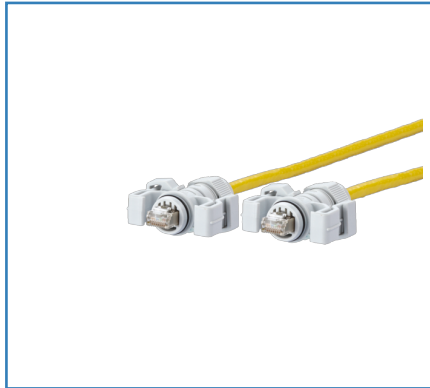
E-DAT Industry patch cord V6 IP67 - IP67 1.0 m

Page 1/6

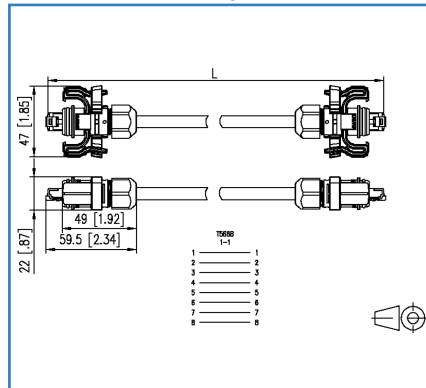
P/N
141N113K13K10
EAN 4250184131267

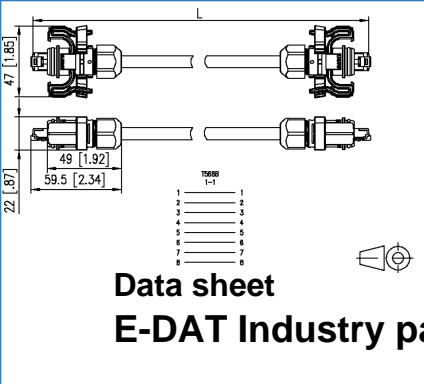
2015-11-06

Illustrations



Dimensional drawing





Data sheet

E-DAT Industry patch cord V6 IP67 - IP67 1.0 m

Illustrations

Dimensional drawing

See enlarged drawings at the end of document

Product specification

- fully shielded Cat.6 patch cable AWG 26/7 S/FTP with PUR cable sheath
- RJ45-IP67-V6 connector shielded on both ends
- 1:1 assignment
- compliance with class E to ISO/IEC 11801 Ed.2.2:2011-06, DIN EN 50173-1:2011-09
- yellow cable, gray connector
- cable colors may differ
- other lengths available
- variants: 1, 2, 5, 10, 15 and 20 m



Technical Data

General Data

Fields of application	Industrial Ethernet
Design	Patch cords
Shielding	shielded
Transmission technology	Copper
Cable Type	S/FTP
Wiring	1 - 1
Color	yellow
Dimensions	
Dimension - Interface 1 (L x W x H)	59.50 x 47.00 x 22.00 mm
Dimension - Interface 1 (L x W x H)	2.34 x 1.85 x 0.87 in.
Dimension - Interface 2 (L x W x H)	59.50 x 47.00 x 22.00 mm
Dimension - Interface 2 (L x W x H)	2.34 x 1.85 x 0.87 in.
Cable length (m)	1.00 m
Cable length (ft)	3.28 ft

Transmission characteristics

Category (ISO)	6
Class (ISO/IEC)	E

Connections/interfaces

Connector technology interface 1	RJ45 plug
Connector technology interface 2	RJ45 plug
Number of ports interface 1	1
Number of ports interface 2	1
Number of equipped ports interface 1	1
Number of ports interface 2 equipped	1
Protective housing interface 1	V6
Protective housing interface 2	V6
Termination data, stranded wire (min. - max.)	
Conductor cross section, stranded wire	AWG 26
Conductor cross section, stranded wire	0.141 mm ²
Conductor diameter, stranded wire (bare copper)	0.483 mm
Conductor diameter, stranded wire (bare copper)	0.01902 in.

E-DAT Industry patch cord V6 IP67 - IP67 1.0 m

P/N
141N113K13K10
EAN 4250184131267

2015-11-06

Technical Data

Mechanical characteristics

Position/mounting of latch - standard installation position top

Materials and material properties

Material - Cable jacket PUR

Environmental conditions

Particulate ingress interface 1 IP6X when plugged in

Liquid ingress/immersion interface 1 IPX7 when plugged in

Particulate ingress interface 2 IP6X when plugged in

Liquid ingress/immersion interface 2 IPX7 when plugged in

Certifications

Gost Certification yes

Approvals

RoHS compliant

The product meets the following standards

Generic cabling systems

General requirements ISO/IEC 11801 Ed.2.2: 2011-06 | DIN EN 50173-1: 2011-09

Classifications

ETIM 5.0 EC001262

Packing details

Type of packaging 1 pc(s) / plastic bag

Packaging unit - Weight (gram) 81.00 g

Packaging unit - Weight (pound) 0.18 lb

E-DAT Industry patch cord V6 IP67 - IP67 1.0 m

P/N

141N113K13K10

EAN 4250184131267

2015-11-06

Accessories

P/N	Designation
130906-V3-I	Locking clamp for IP67 V6 plug, light gray
130906-V5-I	Locking clamp for IP67 V6 plug, yellow
130906-V6-I	Locking clamp for IP67 V6 plug, blue
130906-V7-I	Locking clamp for IP67 V6 plug, green
130906-V8-I	Locking clamp for IP67 V6 plug, red



Data sheet

E-DAT Industry patch cord V6 IP67 - IP67 1.0 m

Page 6/6

P/N
141N113K13K10
EAN 4250184131267

2015-11-06

Illustrations

Dimensional drawing

