

## Data sheet

### E-DAT Industry patch cord V6 IP67 - RJ45 20.0 m

Page 1/5

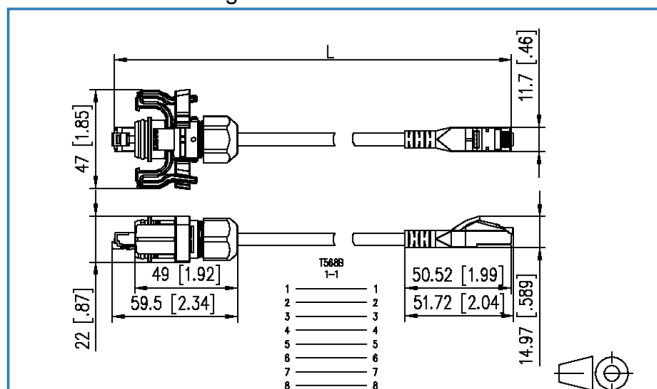
P/N  
141N113K100B0  
EAN 4250184131366

2015-11-06

## Illustrations



Dimensional drawing



See enlarged drawings at the end of document

## Product specification

- fully shielded Cat.6 patch cable AWG 26/7 S/FTP with PUR cable sheath
- 1 x RJ45 and 1 x RJ45-IP67-V6 connector, shielded
- 1:1 assignment
- compliance with class E to ISO/IEC 11801 Ed.2.2:2011-06, DIN EN 50173-1:2011-09
- yellow cable, gray connector
- cable colors may differ
- other lengths available
- variants: 1, 2, 3, 5, 10, 15 and 20 m



## Technical Data

### General Data

Fields of application	Industrial Ethernet
Design	Patch cords
Shielding	shielded
Transmission technology	Copper
Cable Type	S/FTP
Wiring	1 - 1
Color	yellow
Dimensions	
Dimension - Interface 1 (L x W x H)	51.72 x 11.70 x 14.97 mm
Dimension - Interface 1 (L x W x H)	2.04 x 0.46 x 0.59 in.
Dimension - Interface 2 (L x W x H)	59.50 x 47.00 x 22.00 mm
Dimension - Interface 2 (L x W x H)	2.34 x 1.85 x 0.87 in.
Cable length (m)	20.00 m
Cable length (ft)	65.62 ft

### Transmission characteristics

Category (ISO)	6
Class (ISO/IEC)	E

### Connections/interfaces

Connector technology interface 1	RJ45 plug
Connector technology interface 2	RJ45 plug
Number of ports interface 1	1
Number of ports interface 2	1
Number of equipped ports interface 1	1
Number of ports interface 2 equipped	1
Protective housing interface 2	V6
Termination data, stranded wire (min. - max.)	
Conductor cross section, stranded wire	AWG 26
Conductor cross section, stranded wire	0.141 mm <sup>2</sup>
Conductor diameter, stranded wire (bare copper)	0.483 mm
Conductor diameter, stranded wire (bare copper)	0.01902 in.



## Technical Data

### Mechanical characteristics

Position/mounting of latch - standard installation position	top
---	-----

### Materials and material properties

Material - Cable jacket	PUR
-------------------------	-----

### Environmental conditions

Particulate ingress interface 2	IP6X when plugged in
Liquid ingress/immersion interface 2	IPX7 when plugged in

### Certifications

Gost Certification	yes
--------------------	-----

### Approvals

RoHS	compliant
------	-----------

### The product meets the following standards

Generic cabling systems	
General requirements	ISO/IEC 11801 Ed.2.2: 2011-06   DIN EN 50173-1: 2011-09

### Classifications

ETIM 5.0	EC001262
----------	----------

### Packing details

Type of packaging	1 pc(s) / plastic bag
Packaging unit - Weight (gram)	778.00 g
Packaging unit - Weight (pound)	1.72 lb



## Accessories

P/N	Designation
130906-V3-I	Locking clamp for IP67 V6 plug, light gray
130906-V5-I	Locking clamp for IP67 V6 plug, yellow
130906-V6-I	Locking clamp for IP67 V6 plug, blue
130906-V7-I	Locking clamp for IP67 V6 plug, green
130906-V8-I	Locking clamp for IP67 V6 plug, red



Illustrations

Dimensional drawing

