

Data sheet

E-DAT Industry patch cord V6 IP67 - RJ45 1.0 m

Page 1/6

P/N

141N113K10010

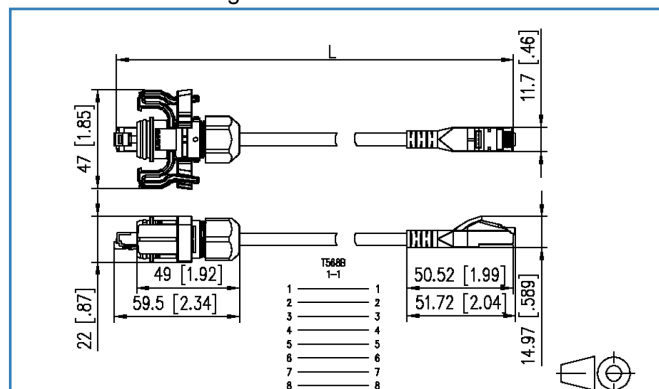
EAN 4250184131311

2015-11-06

Illustrations



Dimensional drawing



See enlarged drawings at the end of document

Product specification

- fully shielded Cat.6 patch cable AWG 26/7 S/FTP with PUR cable sheath
- 1 x RJ45 and 1 x RJ45-IP67-V6 connector, shielded
- 1:1 assignment
- compliance with class E to ISO/IEC 11801 Ed.2.2:2011-06, DIN EN 50173-1:2011-09
- yellow cable, gray connector
- cable colors may differ
- other lengths available
- variants: 1, 2, 3, 5, 10, 15 and 20 m

E-DAT Industry patch cord V6 IP67 - RJ45 1.0 m

P/N

141N113K10010

EAN 4250184131311

2015-11-06

Technical Data

General Data

Fields of application	Industrial Ethernet
Design	Patch cords
Shielding	shielded
Transmission technology	Copper
Cable Type	S/FTP
Number of twisting elements	4
Twisting element	Pair
Wiring	1 - 1
Color	yellow
Dimensions	
Dimension - Interface 1 (L x W x H)	51.72 x 11.70 x 14.97 mm
Dimension - Interface 1 (L x W x H)	2.04 x 0.46 x 0.59 in.
Dimension - Interface 2 (L x W x H)	59.50 x 47.00 x 22.00 mm
Dimension - Interface 2 (L x W x H)	2.34 x 1.85 x 0.87 in.
Cable length (m)	1.00 m
Cable length (ft)	3.28 ft

Transmission characteristics

Category (ISO)	6
Class (ISO/IEC)	E
PoE	IEEE 802.3af
PoE plus	IEEE 802.3at
UPoE	yes
Transmission rate up to 1 GBit (Fast Ethernet)	IEEE 802.3ab

Connections/interfaces

Connector technology interface 1	RJ45 plug
Connector technology interface 2	RJ45 plug
Number of ports interface 1	1
Number of ports interface 2	1
Number of equipped ports interface 1	1
Number of ports interface 2 equipped	1
Number of positions/contacts interface 1	8P/8C
Number of positions/contacts interface 2	8P/8C

Technical Data

Connections/interfaces

Protective housing interface 2	V6
Termination data, stranded wire (min. - max.)	
Conductor cross section, stranded wire	AWG 26
Conductor cross section, stranded wire	0.141 mm ²
Conductor diameter, stranded wire (bare copper)	0.483 mm
Conductor diameter, stranded wire (bare copper)	0.01902 in.
Cable sheath diameter (min. - max.)	
Cable sheath diameter	5.8 mm
Cable sheath diameter	0.228 in.

Mechanical characteristics

Fire load	0.119 kWh/m
Fire load	430 MJ/km
Position/mounting of latch - standard installation position	top
Bending radius without load	17.4 mm
Bending radius without load	0.685 in.
Bending radius with load	46.4 mm
Bending radius with load	1.826 in.

Materials and material properties

Material - Conductor	Cu (copper)
Material - Conductor Insulation	Foam-Skin Polyethylen
Material - Cable jacket	PUR
Werkstoff - Schutzgehäuse Schnittstelle 2	PA 6.6 UL94 V0
Werkstoff - Schutzgehäuse Schnittstelle 2	PA 6.6 UL94 V0

Environmental conditions

Particulate ingress interface 2	IP6X when plugged in
Liquid ingress/immersion interface 2	IPX7 when plugged in



E-DAT Industry patch cord V6 IP67 - RJ45 1.0 m

P/N

141N113K10010

EAN 4250184131311

2015-11-06

Technical Data

Certifications

Gost Certification yes

Approvals

RoHS compliant

The product meets the following standards

Generic cabling systems

General requirements ISO/IEC 11801 Ed.2.2: 2011-06 | DIN EN 50173-1: 2011-09

Classifications

ETIM 5.0 EC001262

Packing details

Type of packaging 1 pc(s) / plastic bag

Packaging unit - Weight (gram) 68.00 g

Packaging unit - Weight (pound) 0.15 lb



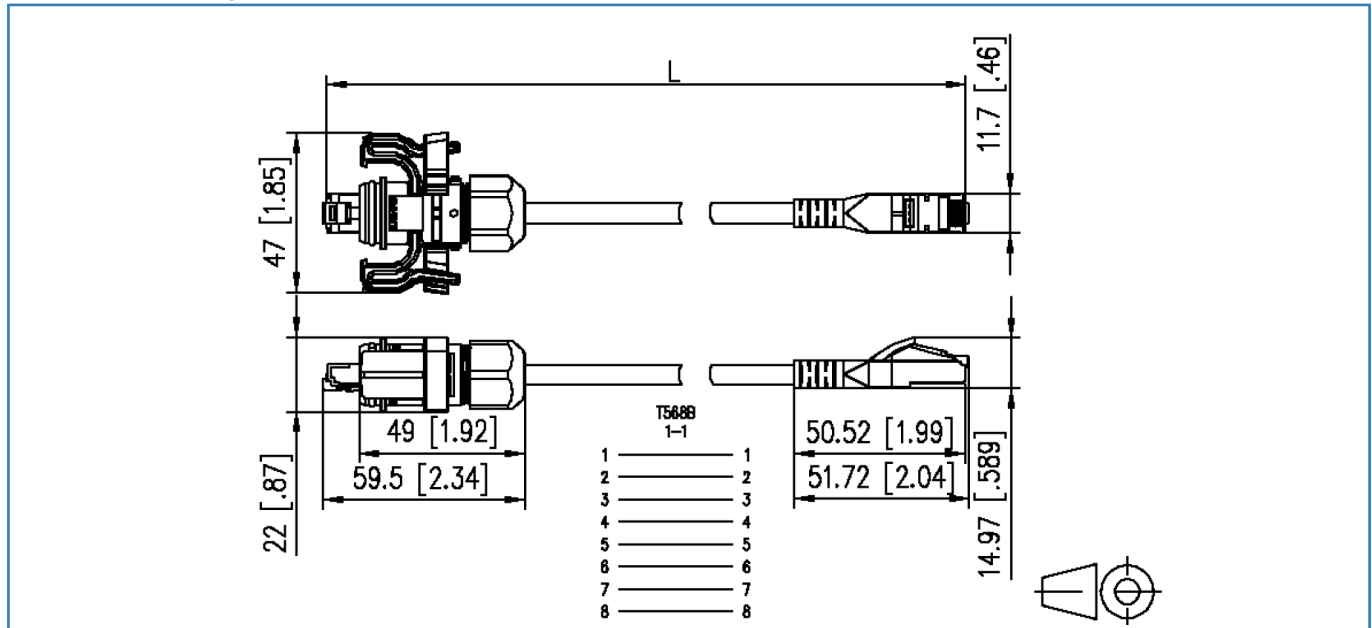
Accessories

P/N	Designation
130906-V3-I	Locking clamp for IP67 V6 plug, light gray
130906-V5-I	Locking clamp for IP67 V6 plug, yellow
130906-V6-I	Locking clamp for IP67 V6 plug, blue
130906-V7-I	Locking clamp for IP67 V6 plug, green
130906-V8-I	Locking clamp for IP67 V6 plug, red



Illustrations

Dimensional drawing



© 2015 METZ CONNECT - Technische Änderungen vorbehalten! Subject to modifications! Sous réserve de modifications techniques!