

Data sheet

OpDAT Industry IP67 V1 bulkhead + LC-D SM adapter insert

Page 1/6

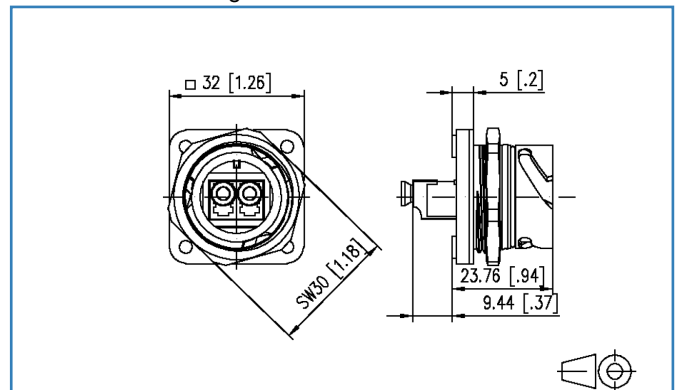
P/N
1402L13322KE
EAN 4250184116103

2015-19-06

Illustrations



Dimensional drawing



See enlarged drawings at the end of document

Product specification

- flange with bayonet lock acc. to ISO/IEC 24702 and IEC 61076-3-106 var. 1
- fiber optic cable coupler made of plastic
- slotted zirconium oxide ceramics sleeve (ZrO₂) for single mode applications
- slotted metal sleeve (Ph-Br) for multi mode applications
- compliance with EN 50173-1:2011-09 and ISO/IEC 24702 with regard to limit values for insertion loss
- flame-retardant and halogen-free plastic housing and coupler dust covers
- easy to mount due to round wall recesses made with inserts for commercially available punch pliers
- only one version for central screwing; alternative mounting with 4 screws (M3)
- mounting on front and back side
- industry-compatible plastic housing with improved durability
- flammability class as per UL 94V-0
- improved resistance to chemical substances
- variants:
 - LC-D blue (SM), beige (MM)
 - SC-RJ/2SC blue (SM), beige (MM)

Data sheet

**OpDAT Industry IP67 V1 bulkhead
+ LC-D SM adapter insert**

P/N
1402L13322KE
EAN 4250184116103

2015-19-06

Technical Data

General Data

Fields of application

Harsh environment

Design

Adapter

Mounting style

front or back side

Transmission technology

Fiber optic

Color

black

Color protective housing

black

Dimensions

Dimension (L x W x H)

23.30 x 32.00 x 32.00 mm

Dimension (L x W x H)

0.92 x 1.26 x 1.26 in.

Mode type of the fiber

Single mode

Connections/interfaces

Connector technology interface 1

LC-D

Connector technology interface 2

LC-D

Number of ports interface 1

1

Number of ports interface 2

1

Number of equipped ports interface 1

1

Number of ports interface 2 equipped

1

Number of ports with dust protection interface 2

1

Protective housing interface 1

V1

Protective housing interface 2

V1

Mechanical characteristics

Cut-out

SC, LC-D, E2000

Connector type

Duplex

Locking method (protective housing)

Bayonet

Mounting method

with screws or central nut

Mounting style

front or back side

Life - Number of mating cycles

min. 1000



**OpDAT Industry IP67 V1 bulkhead
+ LC-D SM adapter insert**

P/N
1402L13322KE
EAN 4250184116103

2015-19-06

Technical Data

Materials and material properties

Material - Housing	Plastics
Material - Protective housing	Plastics
Material - Sleeve	ceramic, slotted
Material - Dust protection	flame-retardant and halogen free

Environmental conditions

Temperature (min. - max.)	
Temperature - Operating °C	-40 - 70 °C
Temperature - Operating °F	-40 - 158 °F
Particulate ingress	IP6X with protective housing
Liquid ingress/immersion	IPX7 with protective housing
Increased robustness	yes
Increased chemical resistance	yes

Certifications

Gost Certification	yes
--------------------	-----

Approvals

RoHS	compliant
------	-----------

The product meets the following standards

Generic cabling systems	
General requirements	DIN EN 50173-1:2011-09
Industrial area	ISO/IEC 24702 AMD 1 DIN EN 50173-3: 2011-09 TIA/EIA 1005
Degrees of Protection Provided by Enclosures	IEC 60529:2014-09
Connectors for electronic equipment	
Rectangular connectors	DIN EN 61076-3-106

Classifications

ETIM 5.0	EC002598
----------	----------

Data sheet

Page 4/6

**OpDAT Industry IP67 V1 bulkhead
+ LC-D SM adapter insert**

P/N

1402L13322KE

EAN 4250184116103

2015-19-06

Technical Data**Packing details**

Type of packaging	10 pc(s) / box
Packaging unit - Weight (gram)	606.00 g
Packaging unit - Weight (pound)	1.34 lb
Packaging dimension (D x W x H)	58.00 x 247.00 x 161.00 mm
Packaging dimension (D x W x H)	2.28 x 9.72 x 6.34 in.



Data sheet

Page 5/6

**OpDAT Industry IP67 V1 bulkhead
+ LC-D SM adapter insert**

P/N

1402L13322KE

EAN 4250184116103

2015-19-06

Accessories

P/N	Designation
1401018102KI	Industry IP67 V1 bulkhead protective cap



Data sheet

**OpDAT Industry IP67 V1 bulkhead
+ LC-D SM adapter insert**

Page 6/6

P/N

1402L13322KE

EAN 4250184116103

2015-19-06

Illustrations

Dimensional drawing

