

## Data sheet

### OpDAT Industry SC-RJ/2SC SM adapter insert

Page 1/4

P/N

1402K00820MI

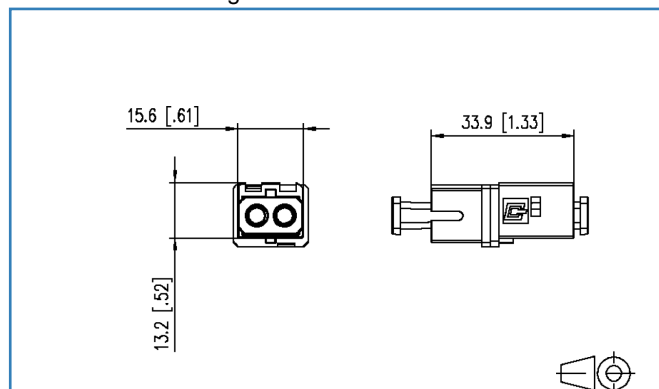
EAN 4250184115892

2015-19-06

## Illustrations



Dimensional drawing



See enlarged drawings at the end of document

## Product specification

- SC-RJ/2SC coupler
- slotted ceramics sleeve for single mode applications
- slotted metal sleeve (Ph-Br) for multi mode applications
- conformity with relevant IEC framework specifications with regard to testing conditions and connector compatibility unilaterally to connector version SC to IEC 61754-4, IEC 60874-14 and SC-RJ to IEC 61745-24, EN 50377-6-1
- compliance with EN 50173-1:2011-09 and ISO/IEC 24702 with regard to limit values for insertion loss
- flame-retardant and halogen-free plastic housing
- flame-retardant and halogen-free dust cover
- in flange or wall outlet of var. 1 and 4 - suitable for integration
- variant 14 only available in sets
- Service life: min. 500 plug-in cycles
- operating temperature -40°C to +70°C
- variants: blue (SM), beige (MM)

## OpDAT Industry SC-RJ/2SC SM adapter insert

P/N

1402K00820MI

EAN 4250184115892

2015-19-06

### Technical Data

#### General Data

|                         |             |
|-------------------------|-------------|
| Design                  | Adapter     |
| Transmission technology | Fiber optic |
| Color                   | blue        |
| Mode type of the fiber  | Single mode |
| Labeling option         | on housing  |

#### Connections/interfaces

|  |           |
|--|-----------|
| Connector technology interface 1                 | SC-RJ/2SC |
| Connector technology interface 2                 | SC-RJ/2SC |
| Number of ports interface 1                      | 1         |
| Number of ports interface 2                      | 1         |
| Number of equipped ports interface 1             | 1         |
| Number of ports interface 2 equipped             | 1         |
| Number of ports with dust protection interface 1 | 1         |
| Number of ports with dust protection interface 2 | 1         |

#### Mechanical characteristics

|                                |                  |
|--------------------------------|------------------|
| Cut-out                        | SC, LC-D, E2000  |
| Mounting method                | snap-in function |
| Life - Number of mating cycles | min. 1000        |

#### Materials and material properties

|                            |                  |
|----------------------------|------------------|
| Material - Housing         | PBT 20% GF       |
| Material - Sleeve          | ceramic, slotted |
| Material - Dust protection | TPE UL-rated     |
| Material - Duplex clip     | PBT 20%GF        |

#### Environmental conditions

|                            |              |
|----------------------------|--------------|
| Temperature (min. - max.)  |              |
| Temperature - Operating °C | -40 - 70 °C  |
| Temperature - Operating °F | -40 - 158 °F |

Data sheet  
OpDAT Industry SC-RJ/2SC SM adapter insert

Page 3/4

P/N  
1402K00820MI  
EAN 4250184115892

2015-19-06

## Technical Data

### Certifications

Gost Certification yes

### Approvals

RoHS compliant

### The product meets the following standards

#### Generic cabling systems

General requirements DIN EN 50173-1:2011-09

Industrial area ISO/IEC 24702 AMD 1 | DIN EN 50173-3: 2011-09  
TIA/EIA 1005

### Classifications

ETIM 5.0 EC000752

### Packing details

|                                 |                            |
|---------------------------------|----------------------------|
| Type of packaging               | 10 pc(s) / box             |
| Packaging unit - Weight (gram)  | 115.00 g                   |
| Packaging unit - Weight (pound) | 0.25 lb                    |
| Packaging dimension (D x W x H) | 89.00 x 250.00 x 105.00 mm |
| Packaging dimension (D x W x H) | 3.50 x 9.84 x 4.13 in.     |



Data sheet

Page 4/4

**OpDAT Industry SC-RJ/2SC SM adapter insert**

P/N

**1402K00820MI****EAN 4250184115892**

2015-19-06

**Illustrations**

Dimensional drawing

