

Data sheet

OpDAT Industry IP20 SC SM plug

Page 1/6

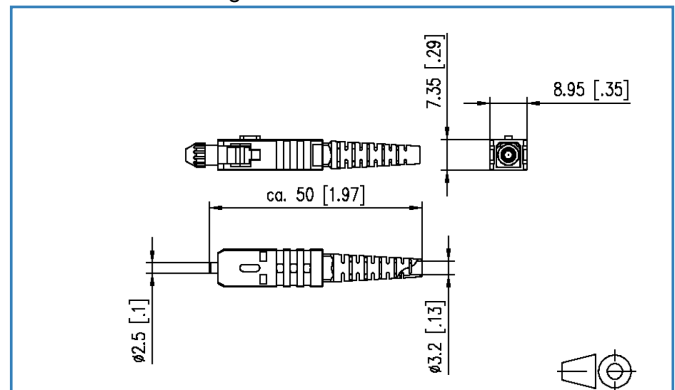
P/N
1402G05020-I
EAN 4250184115854

2015-19-06

Illustrations



Dimensional drawing



See enlarged drawings at the end of document

Product specification

- SC version to IEC 61754-4 and NTT-SC standards
- on-site assembly with offered tools and auxiliary means
- short polishing times due to pre-formed convex front face
- excellent optical characteristics
- high precision and long service life (min. 1000 plug-in cycles)
- ceramic ferrules
- for cable diameters of 2.8 mm to 3.0 mm
- according to relevant international standards

- variants: SC simplex, SC-RJ with clip, SC-RJ one-part (for each of SM, MM and POF), SC-D with clip (SM and MM)

Data sheet
OpDAT Industry IP20 SC SM plug

Page 2/6

P/N
1402G05020-I
EAN 4250184115854

2015-19-06

Technical Data

General Data

Design	Plugs
Transmission technology	Fiber optic
Color	blue
Dimensions	
Dimension (L x W x H)	50.00 x 7.35 x 8.95 mm
Dimension (L x W x H)	1.97 x 0.29 x 0.35 in.
Mode type of the fiber	Single mode
Convex preformed abutting face	yes

Connections/interfaces

Connector technology interface 1	Fast Cure
Connector technology interface 2	SC
Single fibre diameter (min. - max.)	
Single fibre diameter	0.600 - 1.400 mm
Single fibre diameter	0.024 - 0.055 in. (inch)
Cable access/outlet	180°

Electrical characteristics

Insertion loss	max. 0.5 dB
Return loss	min. 40 dB

Mechanical characteristics

Cut-out	SC, LC-D, E2000
Connector type	Simplex
Mounting method	snap-in function
Life - Number of mating cycles	min. 1000

Materials and material properties

Material - Housing	Polycarbonat UL-rated
Material - Insulating body	GD-Zn (zinc die-cast)
Material - Finish of insulating body	Ni (nickel)
Material - Cable boot	TPE UL-rated
Material - Ferrule	Ceramic
Material - Compression spring	stainless steel
Material - Crimp sleeve	Cu (copper)



Data sheet
OpDAT Industry IP20 SC SM plug

Technical Data

Materials and material properties

Material - Dust protection TPE UL-rated

Environmental conditions

Temperature (min. - max.)	
Temperature - Operating °C	-20 - 80 °C
Temperature - Operating °F	-4 - 176 °F
Particulate ingress	IP2X
Liquid ingress/immersion	IPX0
Change of temperature	-10°C / 14°F - +60°C / 140°F; 12 cycles; t1=1h; 1°C / 33.8°F / min
Damp heat	+40°C / 104°F; rh=93% t=96h
Dry heat	+60°C / 140°F; t=96h
Cold	-10°C / 14°F; t=96h
Vibration	10 Hz - 55 Hz / 1 Oktave / min m/s ²

Certifications

Gost Certification yes

Approvals

RoHS compliant

The product meets the following standards

Generic cabling systems	
General requirements	ISO/IEC 11801:2002 DIN EN 50173-1:2011-09 TIA/EIA 568-C
Industrial area	ISO/IEC 24702 AMD 1 DIN EN 50173-3: 2011-09 TIA/EIA 1005
Industrial communication networks - Installation of communication networks in industrial premises	DIN EN 61918 Draft
Degrees of Protection Provided by Enclosures	IEC 60529:2014-09
Fibre optic connector interfaces	DIN EN 61754-4
Connector sets and interconnect components to be used in optical fibre communication systems	DIN EN 50377-4-4



Technical Data

Classifications

ETIM 5.0	EC001122
----------	----------

Packing details

Type of packaging	10 pc(s) / box
Packaging unit - Weight (gram)	60.00 g
Packaging unit - Weight (pound)	0.13 lb
Packaging dimension (D x W x H)	89.00 x 250.00 x 105.00 mm
Packaging dimension (D x W x H)	3.50 x 9.84 x 4.13 in.



Accessories

P/N	Designation
140200A000-I	OpDAT Industry SC-RJ bracket beige
140200A100-I	OpDAT Industry SC-D bracket beige
140200A006-I	OpDAT Industry SC-RJ bracket blue
140200A106-I	OpDAT Industry SC-D bracket blue



Data sheet
OpDAT Industry IP20 SC SM plug

Page 6/6

P/N
1402G05020-I
EAN 4250184115854

2015-19-06

Illustrations

Dimensional drawing

