

Data sheet

OpDAT Industry 2SC POF plug insert

Page 1/4

P/N
1402700822-I

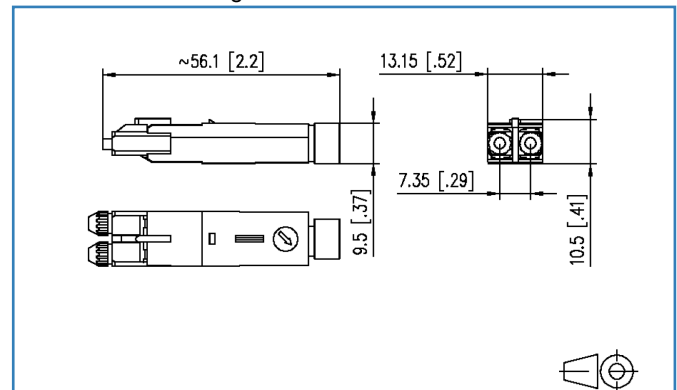
EAN 4250184124863

2015-19-06

Illustrations



Dimensional drawing



See enlarged drawings at the end of document

Product specification

- SC-RJ/2SC plug for mounting in IP67 plug housing of variants 1, 4 and 14
- compliance with EN 50173-1:2011-09 and ISO/IEC 24702 with regard to limit values for insertion and return loss
- convex pre-polished pin made of zirconium oxide ceramics
- plastic plug body
- nickel-plated zinc die-cast plug receptacle
- fiber fastened by means of adhering
- cable fastened by means of crimping to pin body and/or to plug receptacle for breakout and mini breakout cables
- suitable for connection to cables acc. to PROFINET specification
- min. scope for tension relief 100 N
- anti-bend sleeve and dust protection cover made of flame-retardant, halogen-free elastomer
- Service life: min. 500 plug-in cycles
- operating temperature -40 °C...+65 °C

Data sheet
OpDAT Industry 2SC POF plug insert

Technical Data

General Data

Design	Plugs
Transmission technology	Fiber optic
Color	black
Dimensions	
Dimension (L x W x H)	56.00 x 13.15 x 10.50 mm
Dimension (L x W x H)	2.20 x 0.52 x 0.41 in.
Mode type of the fiber	POF
Convex preformed abutting face	yes
Labeling option	on housing

Connections/interfaces

Connector technology interface 1	Fast Cure
Connector technology interface 2	SC
Cable access/outlet	180°

Mechanical characteristics

Cut-out	SC, LC-D, E2000
Life - Number of mating cycles	min. 1000
Strain relief	Crimp sleeve

Materials and material properties

Material - Housing	Plastics
Material - Insulating body	metal
Material - Finish of insulating body	Ni (nickel)
Material - Cable boot	elastomer, flame-retardant and halogen free
Material - Ferrule	Ceramic
Material - Dust protection	elastomer, flame-retardant and halogen free

Environmental conditions

Temperature (min. - max.)	
Temperature - Operating °C	-40 - 65 °C
Temperature - Operating °F	-40 - 149 °F



Data sheet
OpDAT Industry 2SC POF plug insert

Page 3/4

P/N
1402700822-I
EAN 4250184124863

2015-19-06

Technical Data

Certifications

Gost Certification yes

Approvals

RoHS compliant

The product meets the following standards

Generic cabling systems

General requirements	DIN EN 50173-1:2011-09
Industrial area	ISO/IEC 24702 AMD 1 DIN EN 50173-3: 2011-09 TIA/EIA 1005

Classifications

ETIM 5.0 EC001122

Packing details

Type of packaging	10 pc(s) / box
Packaging unit - Weight (gram)	60.00 g
Packaging unit - Weight (pound)	0.13 lb
Packaging dimension (D x W x H)	89.00 x 250.00 x 105.00 mm
Packaging dimension (D x W x H)	3.50 x 9.84 x 4.13 in.

Data sheet
OpDAT Industry 2SC POF plug insert

Page 4/4

P/N
1402700822-I
EAN 4250184124863

2015-19-06

Illustrations

Dimensional drawing

