

# Data sheet

## OpDAT Industry 2SC SM plug insert

Page 1/4

P/N  
1402600822-I

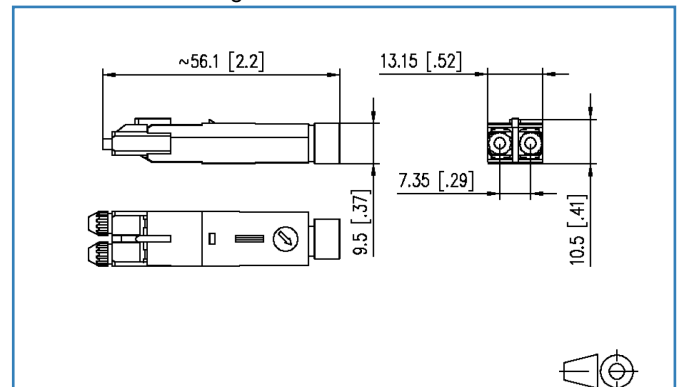
EAN 4250184124856

2015-19-06

### Illustrations



Dimensional drawing



See enlarged drawings at the end of document

### Product specification

- SC-RJ/2SC plug for mounting in IP67 plug housing of variants 1, 4 and 14
- compliance with EN 50173-1:2011-09 and ISO/IEC 24702 with regard to limit values for insertion and return loss
- convex pre-polished pin made of zirconium oxide ceramics
- plastic plug body
- nickel-plated zinc die-cast plug receptacle
- fiber fastened by means of adhering
- cable fastened by means of crimping to pin body and/or to plug receptacle for breakout and mini breakout cables
- suitable for connection to cables acc. to PROFINET specification
- min. scope for tension relief 100 N
- anti-bend sleeve and dust protection cover made of flame-retardant, halogen-free elastomer
- Service life: min. 500 plug-in cycles
- operating temperature -40 °C...+65 °C

**Data sheet**  
**OpDAT Industry 2SC SM plug insert**

Page 2/4

P/N  
1402600822-I  
EAN 4250184124856

2015-19-06

**Technical Data**

<b>General Data</b>	
Design	Plugs
Transmission technology	Fiber optic
Color	black
Dimensions	
Dimension (L x W x H)	56.00 x 13.15 x 10.50 mm
Dimension (L x W x H)	2.20 x 0.52 x 0.41 in.
Mode type of the fiber	Single mode
Convex preformed abutting face	yes
Labeling option	on housing
<b>Connections/interfaces</b>	
Connector technology interface 1	Fast Cure
Connector technology interface 2	SC
Cable access/outlet	180°
<b>Mechanical characteristics</b>	
Cut-out	SC, LC-D, E2000
Life - Number of mating cycles	min. 1000
Strain relief	Crimp sleeve
<b>Materials and material properties</b>	
Material - Housing	Plastics
Material - Insulating body	metal
Material - Finish of insulating body	Ni (nickel)
Material - Cable boot	elastomer, flame-retardant and halogen free
Material - Sleeve	ceramic, slotted
Material - Ferrule	Ceramic
Material - Dust protection	elastomer, flame-retardant and halogen free
<b>Environmental conditions</b>	
Temperature (min. - max.)	
Temperature - Operating °C	-40 - 65 °C
Temperature - Operating °F	-40 - 149 °F

**Data sheet**  
**OpDAT Industry 2SC SM plug insert**

Page 3/4

P/N  
**1402600822-I**  
**EAN 4250184124856**

2015-19-06

**Technical Data**

**Certifications**

Gost Certification yes

**Approvals**

RoHS compliant

**The product meets the following standards**

Generic cabling systems

General requirements DIN EN 50173-1:2011-09

Industrial area ISO/IEC 24702 AMD 1 | DIN EN 50173-3: 2011-09  
TIA/EIA 1005

**Classifications**

ETIM 5.0 EC001122

**Packing details**

Type of packaging 10 pc(s) / box

Packaging unit - Weight (gram) 60.00 g

Packaging unit - Weight (pound) 0.13 lb

Packaging dimension (D x W x H) 89.00 x 250.00 x 105.00 mm

Packaging dimension (D x W x H) 3.50 x 9.84 x 4.13 in.

© 2015 METZ CONNECT - Technische Änderungen vorbehalten! Subject to modifications! Sous réserve de modifications techniques!



Data sheet  
OpDAT Industry 2SC SM plug insert

Illustrations

Dimensional drawing

