

Data sheet

OpDAT Industry IP67 V14 bulkhead central screw mounting + LC-D MM adapter insert

Page 1/5

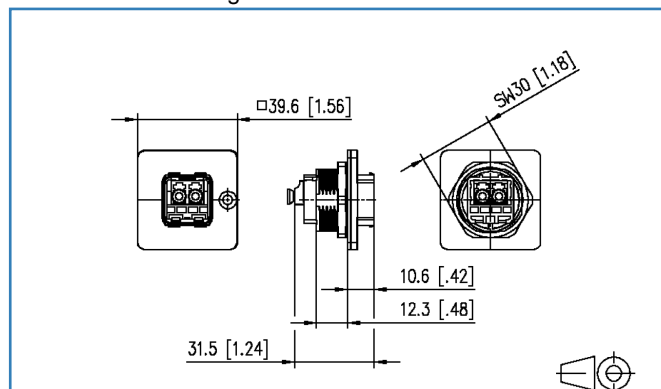
P/N
1402383320ME
EAN 4250184123637

2015-19-06

Illustrations



Dimensional drawing



See enlarged drawings at the end of document

Product specification

- flange with push-pull-lock acc. to ISO/IEC 24702 and IEC 61076-3-106 var. 14
- fiber optic cable coupler made of plastic
- slotted zirconium oxide ceramics sleeve (ZrO₂) for single mode applications
- slotted metal sleeve (Ph-Br) for multi mode applications
- compliance with EN 50173-1:2011-09 and ISO/IEC 24702 with regard to limit values for insertion loss
- flame-retardant and halogen-free plastic housing and coupler dust covers
- easy to mount due to round wall recesses made with inserts for commercially available punch pliers
- mounting from the front
- industry-compatible metal housing with improved durability
- flammability class as per UL 94V-0
- improved resistance to chemical substances

variants:

LC-D	blue (SM), beige (MM)
SC-RJ/2SC	blue (SM), beige (MM)

Data sheet

Page 2/5

**OpDAT Industry IP67 V14 bulkhead central screw mounting
+ LC-D MM adapter insert**

P/N
1402383320ME
EAN 4250184123637

2015-19-06

Technical Data

General Data

Fields of application	Harsh environment
Design	Adapter
Mounting style	front side
Transmission technology	Fiber optic
Color protective housing	metallike
Dimensions	
Dimension (L x W x H)	31.50 x 39.60 x 39.60 mm
Dimension (L x W x H)	1.24 x 1.56 x 1.56 in.
Mode type of the fiber	Multimode
Labeling option	on housing

Connections/interfaces

Connector technology interface 1	LC-D
Connector technology interface 2	LC-D
Number of ports interface 1	1
Number of ports interface 2	1
Number of equipped ports interface 1	1
Number of ports interface 2 equipped	1
Number of ports with dust protection interface 1	1
Number of ports with dust protection interface 2	1
Protective housing interface 1	V14
Protective housing interface 2	V14

Mechanical characteristics

Cut-out	SC, LC-D, E2000
Connector type	Duplex
Locking method (protective housing)	Push Pull
Mounting method	with central nut
Mounting style	front side
Life - Number of mating cycles	min. 500

© 2015 METZ CONNECT - Technische Änderungen vorbehalten! Subject to modifications! Sous réserve de modifications techniques!



OpDAT Industry IP67 V14 bulkhead central screw mounting + LC-D MM adapter insert

P/N

1402383320ME

EAN 4250184123637

2015-19-06

Technical Data

Materials and material properties

Material - Housing	Plastics
Material - Protective housing	metal
Material - Sleeve	PhBr, slotted
Material - Dust protection	flame-retardant and halogen free

Environmental conditions

Particulate ingress	IP6X with protective housing
Liquid ingress/immersion	IPX7 with protective housing
Increased chemical resistance	yes

Certifications

Gost Certification	yes
--------------------	-----

Approvals

RoHS	compliant
------	-----------

The product meets the following standards

Generic cabling systems	
General requirements	DIN EN 50173-1:2011-09
Industrial area	ISO/IEC 24702 AMD 1 DIN EN 50173-3: 2011-09 TIA/EIA 1005
Degrees of Protection Provided by Enclosures	IEC 60529:2014-09
Connectors for electronic equipment	
Rectangular connectors	DIN EN 61076-3-117

Classifications

ETIM 5.0	EC002597
----------	----------

Packing details

Type of packaging	10 pc(s) / box
Packaging unit - Weight (gram)	556.00 g
Packaging unit - Weight (pound)	1.23 lb
Packaging dimension (D x W x H)	58.00 x 247.00 x 161.00 mm
Packaging dimension (D x W x H)	2.28 x 9.72 x 6.34 in.

Data sheet

Page 4/5

OpDAT Industry IP67 V14 bulkhead central screw mounting + LC-D MM adapter insert

P/N

1402383320ME

EAN 4250184123637

2015-19-06

Accessories

P/N	Designation
1401088102KI	E-DAT Industry IP67 V14 bulkhead protection cap



Data sheet

Page 5/5

**OpDAT Industry IP67 V14 bulkhead central screw mounting
+ LC-D MM adapter insert**

P/N

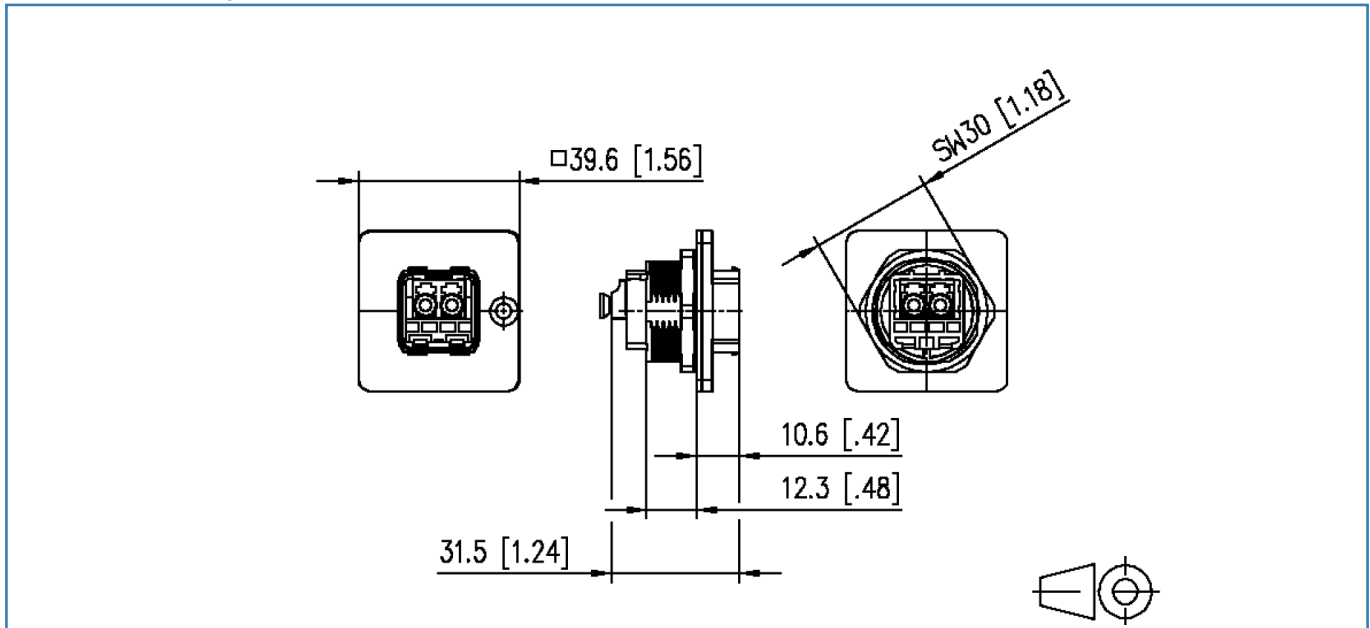
1402383320ME

EAN 4250184123637

2015-19-06

Illustrations

Dimensional drawing



© 2015 METZ CONNECT - Technische Änderungen vorbehalten! Subject to modifications! Sous réserve de modifications techniques!