

## Data sheet

### E-DAT Industry IP67 V14 plug housing + RJ45 plug insert Cat.6 Class E<sub>A</sub>

Page 1/6

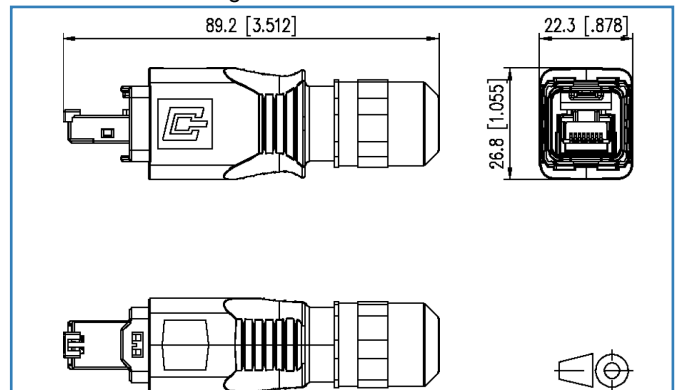
P/N  
1401585010ME  
EAN 4250184123743

2015-06-07

## Illustrations



Dimensional drawing



See enlarged drawings at the end of document

## Product specification

- Cat.6 class E<sub>A</sub> termination unit in plug housing with push-pull-lock acc. to ISO/IEC 24702 and IEC 61076-3-106 Var. 14
- push-pull locking
- compliance with class E<sub>A</sub> to ISO/IEC 11801 Ed.2.2:2011-06, DIN EN 50173-1:2011-09
- 10 GBit suitable according to IEEE 802.3an
- suitable for Power over Ethernet (PoE, PoE plus and UPoE)
- IP67 protected housing
- increased diameter range of 10 mm for connection of cable jackets
- resistant to welding sputter
- industry-compatible metal housing with improved durability
- flammability class as per UL 94V-0
- improved resistance to chemical substances
- snap-on clip for color coding after assembly
- cable can be pushed through preassembled plug housing
- variants: field plug insert, plug insert

# E-DAT Industry IP67 V14 plug housing + RJ45 plug insert Cat.6 Class E<sub>A</sub>

P/N  
1401585010ME  
EAN 4250184123743

2015-06-07

## Technical Data

### General Data

Fields of application	Industrial Ethernet
Design	Plugs
Shielding	unshielded
Transmission technology	Copper
Color protective housing	metallike
Dimensions	
Dimension (L x W x H)	89.20 x 22.30 x 26.80 mm
Dimension (L x W x H)	3.51 x 0.88 x 1.06 in.
Labeling option	on housing
Marking option	by latching clip

### Transmission characteristics

Category (ISO)	6
Class (ISO/IEC)	E <sub>A</sub>
Category (TIA)	6
PoE	IEEE 802.3af
PoE plus	IEEE 802.3at
UPoE	yes
Transmission rate up to 10 GBit	IEEE 802.3an

### Connections/interfaces

Connector technology interface 1	IDC-connection
Connector technology interface 2	RJ45 plug
Number of ports interface 2	1
Number of ports interface 2 equipped	1
Number of positions/contacts interface 1	8
Number of positions/contacts interface 2	8P/8C
Protective housing interface 1	V14
Cable access/outlet	180°



## E-DAT Industry IP67 V14 plug housing + RJ45 plug insert Cat.6 Class E<sub>A</sub>

P/N  
1401585010ME  
EAN 4250184123743

2015-06-07

### Technical Data

#### Mechanical characteristics

Locking method (protective housing) Push Pull

#### Materials and material properties

Material - Protective housing GD-Zn (zinc die-cast)

Material - Protective housing finish Ni (nickel)

#### Environmental conditions

Particulate ingress IP6X with protective housing

Liquid ingress/immersion IPX7 with protective housing

Resistance to welding beads yes

Increased robustness yes

Increased chemical resistance yes

Electromagnetic measurement E<sub>1</sub>

#### Certifications

Gost Certification yes

#### Approvals

RoHS compliant

#### The product meets the following standards

##### Generic cabling systems

General requirements ISO/IEC 11801 Ed.2.2: 2011-06 | DIN EN 50173-1: 2011-09  
TIA/EIA 568-C

Office buildings ISO/IEC 11801 Ed.2.2: 2011-06 | DIN EN 50173-2: 2011-09  
TIA/EIA 568-C

Industrial area ISO/IEC 24702 | DIN EN 50173-3: 2011-09  
TIA/EIA 1005

Living units ISO/IEC 15018 | DIN EN 50173-4: 2011-09  
TIA/EIA 570-B

##### Connectors for electronic equipment

Free and fixed connectors DIN EN 60603-7-41:2011-01

Rectangular connectors DIN EN 61076-3-117

Degrees of Protection Provided by Enclosures IEC 60529



Data sheet

Page 4/6

## E-DAT Industry IP67 V14 plug housing + RJ45 plug insert Cat.6 Class E<sub>A</sub>

P/N

1401585010ME

EAN 4250184123743

2015-06-07

### Technical Data

#### The product meets the following standards

##### Interference proof

Immunity for industrial environments	DIN EN 61000-6-2:2006-03
--------------------------------------	--------------------------

##### Emission proof

Electromagnetic emission for residential, commercial and light-industrial environments	DIN EN 61000-6-3:2011-09
--	--------------------------

#### Classifications

ETIM 5.0	EC001121
----------	----------

#### Packing details

Type of packaging	10 pc(s) / box
Packaging unit - Weight (gram)	906.00 g
Packaging unit - Weight (pound)	2.00 lb
Packaging dimension (W x H x D)	247.00 x 161.00 x 58.00 mm
Packaging dimension (W x H x D)	9.72 x 6.34 x 2.28 in.



Data sheet

Page 5/6

**E-DAT Industry IP67 V14 plug housing  
+ RJ45 plug insert Cat.6 Class E<sub>A</sub>**

P/N

1401585010ME

EAN 4250184123743

2015-06-07

**Accessories**

P/N	Designation
1401088002KI	E-DAT Industry IP67 V14 plug protection cap
1401009001-I	Industry color coding ring V1/V4/V14 orange
1401009003-I	Industry color coding ring V1/V4/V14 light grey
1401009004-I	Industry color coding ring V1/V4/V14 white
1401009005-I	Industry color coding ring V1/V4/V14 yellow
1401009006-I	Industry color coding ring V1/V4/V14 blue
1401009007-I	Industry color coding ring V1/V4/V14 green



Data sheet

Page 6/6

**E-DAT Industry IP67 V14 plug housing  
+ RJ45 plug insert Cat.6 Class E<sub>A</sub>**

P/N

1401585010ME

EAN 4250184123743

2015-06-07

**Illustrations**

Dimensional drawing

