

Data sheet

E-DAT Industry IP67 V1 metal plug housing bend protected + RJ45 plug insert Cat.6 Class E_A

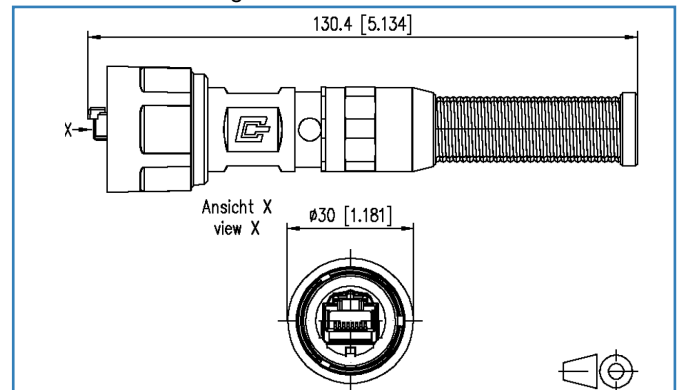
P/N
1401525010ME
EAN 4250184114529

2015-06-07

Illustrations



Dimensional drawing



See enlarged drawings at the end of document

Product specification

- Cat.6 class E_A connector in connector housing with bayonet lock acc. to ISO/IEC 24702 and IEC 61076-3-106 Var. 1
- compliance with class E_A to ISO/IEC 11801 Ed.2.2:2011-06, DIN EN 50173-1:2011-09
- 10 GBit suitable according to IEEE 802.3an
- suitable for Power over Ethernet (PoE, PoE plus and UPoE)
- IP67 protected housing
- increased diameter range of 10 mm for connection of cable jackets
- resistant to welding sputter
- industry-compatible housing with improved durability
- with anti-bend sleeve
- flammability class as per UL 94V-0
- improved resistance to chemical substances
- labeling on plug housing
- snap-on clip for color coding after assembly
- cable can be pushed through preassembled plug housing
- variants: field plug insert, plug insert, metal or plastic housing variants

Data sheet

Page 2/7

**E-DAT Industry IP67 V1 metal plug housing bend protected
+ RJ45 plug insert Cat.6 Class E_A**

P/N
1401525010ME
EAN 4250184114529

2015-06-07

Technical Data

General Data

Fields of application	Industrial Ethernet
Design	Plugs
Shielding	unshielded
Transmission technology	Copper
Color protective housing	black
Dimensions	
Dimension (L x W x H)	130.40 x 30.00 x 30.00 mm
Dimension (L x W x H)	5.13 x 1.18 x 1.18 in.
Field assembly ability	yes
Labeling option	on housing
Marking option	by latching clip

Transmission characteristics

Category (ISO)	6
Class (ISO/IEC)	E _A
Category (TIA)	6
PoE	IEEE 802.3af
PoE plus	IEEE 802.3at
UPoE	yes
Transmission rate up to 10 GBit	IEEE 802.3an

Connections/interfaces

Connector technology interface 1	IDC-connection
Connector technology interface 2	RJ45 plug
Number of ports interface 2	1
Number of ports interface 2 equipped	1
Number of positions/contacts interface 1	8
Number of positions/contacts interface 2	8P/8C
Protective housing interface 1	V1
Cable access/outlet	180°



Data sheet

**E-DAT Industry IP67 V1 metal plug housing bend protected
+ RJ45 plug insert Cat.6 Class E_A**

P/N
1401525010ME
EAN 4250184114529

2015-06-07

Technical Data

Electrical characteristics

Current carrying capacity	max. 1 A
Contact resistance	max. 20 mOhm
Insulation resistance	min. 500 MOhm
Dielectric strength conductor-conductor (secondary)	min. 1000 V DC

Mechanical characteristics

Locking method (protective housing)	Bayonet
Insertion and withdrawal force	max. 30 N

Materials and material properties

Material - Housing	GD-Zn (zinc die-cast)
Material - Housing finish	Ni (nickel)
Material - Protective housing	GD-Zn (zinc die-cast)
Material - Insulation displacement contacts	CuSn (tin bronze)
Material - Finish of insulation displacement contacts	Sn (tin)
Material - Contact	CuSn (tin bronze)
Material - Contact finish	Ni + Au (nickel-gold)
Material - Contact carriers	PA UL94 V0
Material - Insulating body	PA UL94 V0
Material - Shield	Cu-Ni-Zn (nickel silver)
Material - Protective housing seal	NBR (nitrile butadiene rubber)
Material - Flat seal	NBR (nitrile butadiene rubber)
Material - Stuffer cap	PA UL94-V0
Material - Cable boot	metal
Material - Cap nut	CuZn (brass)

Environmental conditions

Particulate ingress	IP6X with protective housing
Liquid ingress/immersion	IPX7 with protective housing
Rapid change of temperature	-40°C / -40°F - +70°C / +158°F / 25 cycles t=30 min
Damp heat	25 °C / 65 °C / 93% RH // -10 °C / -14 °F / 21 cycles
Flowing mixed gas	+25 °C / +77°F / 73% RH / 4 days, H2S / SO2
Salt spray fog test (NSS Test)	+35 °C / +95 °F / 4 days, 5% NaCL
Resistance to welding beads	yes
Increased robustness	yes



E-DAT Industry IP67 V1 metal plug housing bend protected + RJ45 plug insert Cat.6 Class E_A

P/N
1401525010ME
EAN 4250184114529

2015-06-07

Technical Data

Environmental conditions

Increased chemical resistance	yes
Electromagnetic measurement	E ₁
Vibration	50 m/s ²
Shock	250 m/s ²

Certifications

Gost Certification	yes
--------------------	-----

Approvals

CE	compliant
RoHS	compliant

The product meets the following standards

Generic cabling systems	
General requirements	ISO/IEC 11801 Ed.2.2: 2011-06 DIN EN 50173-1: 2011-09 TIA/EIA 568-C
Office buildings	ISO/IEC 11801 Ed.2.2: 2011-06 DIN EN 50173-2: 2011-09 TIA/EIA 568-C
Industrial area	ISO/IEC 24702 DIN EN 50173-3: 2011-09 TIA/EIA 1005
Living units	ISO/IEC 15018 DIN EN 50173-4: 2011-09 TIA/EIA 570-B
Expansion of Communication Circuit Accessories (DUXR) Category	UL 1863
Connectors for electronic equipment	
Free and fixed connectors	DIN EN 60603-7-41:2011-01
Rectangular connectors	DIN EN 61076-3-106
Degrees of Protection Provided by Enclosures	IEC 60529
Interference proof	
Immunity for industrial environments	DIN EN 61000-6-2:2006-03
Emission proof	
Electromagnetic emission for residential, commercial and light-industrial environments	DIN EN 61000-6-3:2011-09
Climate tests	IEC 60512-11



Data sheet

Page 5/7

**E-DAT Industry IP67 V1 metal plug housing bend protected
+ RJ45 plug insert Cat.6 Class E_A**

P/N

1401525010ME

EAN 4250184114529

2015-06-07

Technical Data**Classifications**

ETIM 5.0 EC001121

Packing details

Type of packaging	5 pc(s) / box
Packaging unit - Weight (gram)	721.00 g
Packaging unit - Weight (pound)	1.59 lb
Packaging dimension (W x H x D)	247.00 x 161.00 x 58.00 mm
Packaging dimension (W x H x D)	9.72 x 6.34 x 2.28 in.



Data sheet

Page 6/7

**E-DAT Industry IP67 V1 metal plug housing bend protected
+ RJ45 plug insert Cat.6 Class E_A**

P/N

1401525010ME

EAN 4250184114529

2015-06-07

Accessories

P/N	Designation
1401018002KI	Industry IP67 V1 plug protective cap
1401009001-I	Industry color coding ring V1/V4/V14 orange
1401009003-I	Industry color coding ring V1/V4/V14 light grey
1401009004-I	Industry color coding ring V1/V4/V14 white
1401009005-I	Industry color coding ring V1/V4/V14 yellow
1401009006-I	Industry color coding ring V1/V4/V14 blue
1401009007-I	Industry color coding ring V1/V4/V14 green



Data sheet

Page 7/7

**E-DAT Industry IP67 V1 metal plug housing bend protected
+ RJ45 plug insert Cat.6 Class E_A**

P/N

1401525010ME

EAN 4250184114529

2015-06-07

Illustrations

Dimensional drawing

