

Data sheet

E-DAT Industry IP67 V5 metal plug housing + RJ45 field plug insert Cat.6 Class E_A

Page 1/6

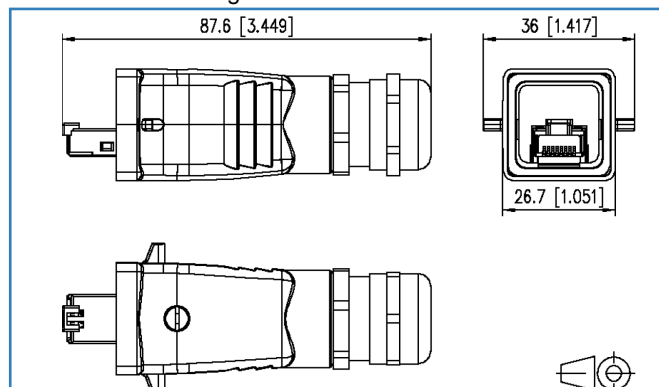
P/N
1401465010ME
EAN 4250184114505

2015-06-07

Illustrations



Dimensional drawing



See enlarged drawings at the end of document

Product specification

- Cat.6 class E_A termination unit in plug housing with clamp lock acc. to IEC 61076-3-106 var. 5
- compliance with class E_A to ISO/IEC 11801 Ed.2.2:2011-06, DIN EN 50173-1:2011-09
- 10 GBit suitable according to IEEE 802.3an
- suitable for Power over Ethernet (PoE, PoE plus and UPoE)
- IP67 protected housing
- increased diameter range of 10 mm for connection of cable jackets
- resistant to welding sputter
- industry-compatible metal housing with improved durability
- flammability class as per UL 94V-0
- improved resistance to chemical substances
- snap-on clip for color coding after assembly
- cable can be pushed through preassembled plug housing
- variants: field plug insert, plug insert

Data sheet

Page 2/6

**E-DAT Industry IP67 V5 metal plug housing
+ RJ45 field plug insert Cat.6 Class E_A**

P/N
1401465010ME
EAN 4250184114505

2015-06-07

Technical Data

General Data

Fields of application	Industrial Ethernet
Design	Plugs
Shielding	shielded
Transmission technology	Copper
Color	gray
Dimensions	
Dimension (L x W)	87.60 x 36.00 mm
Dimension (L x W)	3.45 x 1.42 in.
Labeling option	on housing
Marking option	by latching clip

Transmission characteristics

Category (ISO)	6
Class (ISO/IEC)	E _A
Category (TIA)	6
PoE	IEEE 802.3af
PoE plus	IEEE 802.3at
UPoE	yes
Transmission rate up to 10 GBit	IEEE 802.3an

Connections/interfaces

Connector technology interface 1	IDC-connection
Connector technology interface 2	RJ45 plug
Number of ports interface 2	1
Number of ports interface 2 equipped	1
Number of positions/contacts interface 1	8
Number of positions/contacts interface 2	8P/8C
Protective housing interface 1	V5
Cable access/outlet	180°



E-DAT Industry IP67 V5 metal plug housing + RJ45 field plug insert Cat.6 Class E_A

P/N
1401465010ME
EAN 4250184114505

2015-06-07

Technical Data

Materials and material properties

Material - Housing	GD-Zn (zinc die-cast)
Material - Protective housing	die-cast aluminium
Material - Protective housing finish	powder-coated
Material - Protective housing seal	NBR (nitrile butadiene rubber)
Material - Flat seal	NBR (nitrile butadiene rubber)
Material - Plug insert	PBT UL94 V0
Material - Protective housing screw(s)	stainless steel
Material - Washer	PA (polyamide)
Material - Cap nut	CuZn (brass)
Material - Cap nut finish	Ni (nickel)

Environmental conditions

Particulate ingress	IP6X with protective housing
Liquid ingress/immersion	IPX7 with protective housing
Resistance to welding beads	yes
Increased robustness	yes
Increased chemical resistance	yes
Electromagnetic measurement	E ₃

Certifications

Gost Certification	yes
--------------------	-----

Approvals

CE	compliant
RoHS	compliant

The product meets the following standards

Generic cabling systems	
General requirements	ISO/IEC 11801 Ed.2.2: 2011-06 DIN EN 50173-1: 2011-09 TIA/EIA 568-C
Office buildings	ISO/IEC 11801 Ed.2.2: 2011-06 DIN EN 50173-2: 2011-09 TIA/EIA 568-C
Industrial area	ISO/IEC 24702 DIN EN 50173-3: 2011-09 TIA/EIA 1005
Living units	ISO/IEC 15018 DIN EN 50173-4: 2011-09 TIA/EIA 570-B

Data sheet

Page 4/6

E-DAT Industry IP67 V5 metal plug housing + RJ45 field plug insert Cat.6 Class E_A

P/N
1401465010ME
EAN 4250184114505

2015-06-07

Technical Data

The product meets the following standards

Connectors for electronic equipment

Free and fixed connectors DIN EN 60603-7-51:2011-01

Rectangular connectors DIN EN 61076-3-106

Degrees of Protection Provided by Enclosures IEC 60529

Interference proof

Immunity for industrial environments DIN EN 61000-6-2:2006-03

Emission proof

Electromagnetic emission for residential,
commercial and light-industrial environments DIN EN 61000-6-3:2011-09

Classifications

ETIM 5.0 EC001121

Packing details

Type of packaging 10 pc(s) / box

Packaging unit - Weight (gram) 786.00 g

Packaging unit - Weight (pound) 1.73 lb

Packaging dimension (W x H x D) 247.00 x 161.00 x 58.00 mm

Packaging dimension (W x H x D) 9.72 x 6.34 x 2.28 in.



Data sheet

Page 5/6

E-DAT Industry IP67 V5 metal plug housing + RJ45 field plug insert Cat.6 Class E_A

P/N

1401465010ME

EAN 4250184114505

2015-06-07

Accessories

P/N	Designation
1401068000MI	Industry IP67 V5 metal plug protective cap



Data sheet

Page 6/6

**E-DAT Industry IP67 V5 metal plug housing
+ RJ45 field plug insert Cat.6 Class E_A**

P/N

1401465010ME

EAN 4250184114505

2015-06-07

Illustrations

Dimensional drawing

