

Data sheet

E-DAT Industry IP67 V4 plug housing + RJ45 field plug insert Cat.6 Class E_A

Page 1/6

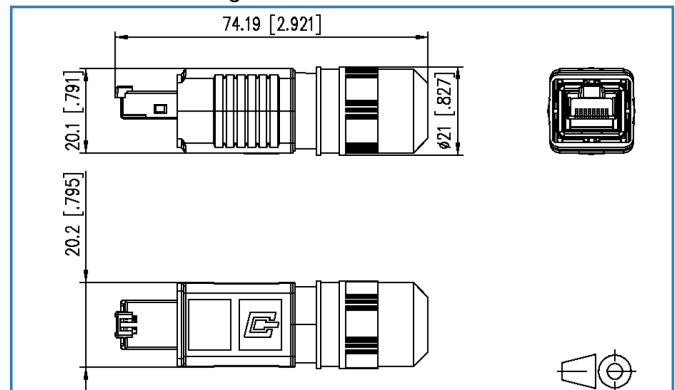
P/N
1401445012KE
EAN 4250184114352

2015-06-07

Illustrations



Dimensional drawing



See enlarged drawings at the end of document

Product specification

- Cat.6 class E_A connector in connector housing with push-pull-lock acc. to ISO/IEC 24702 and IEC 61076-3-106 Var. 4
- compliance with class E_A to ISO/IEC 11801 Ed.2.2:2011-06, DIN EN 50173-1:2011-09
- 10 GBit suitable according to IEEE 802.3an
- suitable for Power over Ethernet (PoE, PoE plus and UPoE)
- IP67 protected housing
- increased diameter range of 10 mm for connection of cable jackets
- resistant to welding sputter
- industry-compatible plastic housing with improved durability
- flammability class as per UL 94V-0
- improved resistance to chemical substances
- labeling on plug housing
- snap-on clip for color coding after assembly
- cable can be pushed through preassembled plug housing
- variants: field plug insert, plug insert

E-DAT Industry IP67 V4 plug housing + RJ45 field plug insert Cat.6 Class E_A

P/N

1401445012KE

EAN 4250184114352

2015-06-07

Technical Data

General Data

Fields of application	Industrial Ethernet
Design	Plugs
Shielding	shielded
Transmission technology	Copper
Color	black
Dimensions	
Dimension (L x W x H)	74.19 x 20.20 x 20.10 mm
Dimension (L x W x H)	2.92 x 0.80 x 0.80 in.
Labeling option	on housing
Marking option	by latching clip

Transmission characteristics

Category (ISO)	6
Class (ISO/IEC)	E _A
Category (TIA)	6
PoE	IEEE 802.3af
PoE plus	IEEE 802.3at
UPoE	yes
Transmission rate up to 10 GBit	IEEE 802.3an

Connections/interfaces

Connector technology interface 1	IDC-connection
Connector technology interface 2	RJ45 plug
Number of ports interface 2	1
Number of ports interface 2 equipped	1
Number of positions/contacts interface 1	8
Number of positions/contacts interface 2	8P/8C
Protective housing interface 1	V4
Cable access/outlet	180°



Data sheet

Page 3/6

**E-DAT Industry IP67 V4 plug housing
+ RJ45 field plug insert Cat.6 Class E_A**

P/N
1401445012KE
EAN 4250184114352

2015-06-07

Technical Data

Mechanical characteristics

Locking method (protective housing) Push Pull

Materials and material properties

Material - Housing	GD-Zn (zinc die-cast)
Material - Protective housing	PA UL94 V0
Material - Protective housing seal	EPDM (ethylene-propylene-diene)
Material - Moulded seal	NBR (nitrile butadiene rubber)

Environmental conditions

Particulate ingress	IP6X with protective housing
Liquid ingress/immersion	IPX7 with protective housing
Resistance to welding beads	yes
Increased chemical resistance	yes
Electromagnetic measurement	E ₃

Certifications

Gost Certification yes

Approvals

CE	compliant
RoHS	compliant

The product meets the following standards

Generic cabling systems	
General requirements	ISO/IEC 11801 Ed.2.2: 2011-06 DIN EN 50173-1: 2011-09 TIA/EIA 568-C
Office buildings	ISO/IEC 11801 Ed.2.2: 2011-06 DIN EN 50173-2: 2011-09 TIA/EIA 568-C
Industrial area	ISO/IEC 24702 DIN EN 50173-3: 2011-09 TIA/EIA 1005
Living units	ISO/IEC 15018 DIN EN 50173-4: 2011-09 TIA/EIA 570-B
Connectors for electronic equipment	
Free and fixed connectors	DIN EN 60603-7-51:2011-01
Rectangular connectors	DIN EN 61076-3-106
Degrees of Protection Provided by Enclosures	IEC 60529



Data sheet

Page 4/6

E-DAT Industry IP67 V4 plug housing + RJ45 field plug insert Cat.6 Class E_A

P/N

1401445012KE

EAN 4250184114352

2015-06-07

Technical Data

The product meets the following standards

Interference proof

Immunity for industrial environments	DIN EN 61000-6-2:2006-03
--------------------------------------	--------------------------

Emission proof

Electromagnetic emission for residential, commercial and light-industrial environments	DIN EN 61000-6-3:2011-09
--	--------------------------

Classifications

ETIM 5.0	EC001121
----------	----------

Packing details

Type of packaging	10 pc(s) / box
Packaging unit - Weight (gram)	336.00 g
Packaging unit - Weight (pound)	0.74 lb
Packaging dimension (W x H x D)	247.00 x 161.00 x 58.00 mm
Packaging dimension (W x H x D)	9.72 x 6.34 x 2.28 in.



Data sheet

Page 5/6

**E-DAT Industry IP67 V4 plug housing
+ RJ45 field plug insert Cat.6 Class E_A**

P/N

1401445012KE

EAN 4250184114352

2015-06-07

Accessories

P/N	Designation
1401048002KI	Industry IP67 V4 plug protective cap
1401009001-I	Industry color coding ring V1/V4/V14 orange
1401009003-I	Industry color coding ring V1/V4/V14 light grey
1401009004-I	Industry color coding ring V1/V4/V14 white
1401009005-I	Industry color coding ring V1/V4/V14 yellow
1401009006-I	Industry color coding ring V1/V4/V14 blue
1401009007-I	Industry color coding ring V1/V4/V14 green



Data sheet

Page 6/6

**E-DAT Industry IP67 V4 plug housing
+ RJ45 field plug insert Cat.6 Class E_A**

P/N

1401445012KE

EAN 4250184114352

2015-06-07

Illustrations

Dimensional drawing

