

## Data sheet

Page 1/7

### E-DAT Industry IP67 V1 plug housing bend protected + RJ45 field plug insert Cat.6 Class E<sub>A</sub>

P/N

1401425012KE

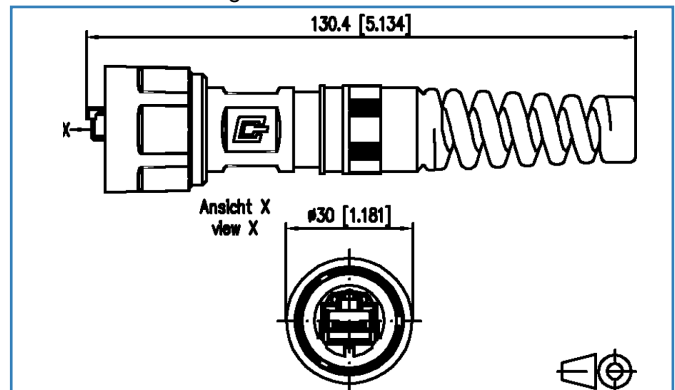
EAN 4250184114673

2015-06-07

## Illustrations



Dimensional drawing



See enlarged drawings at the end of document

## Product specification

- Cat.6 class E<sub>A</sub> connector in connector housing with bayonet lock acc. to ISO/IEC 24702 and IEC 61076-3-106 Var. 1
- compliance with class E<sub>A</sub> to ISO/IEC 11801 Ed.2.2:2011-06, DIN EN 50173-1:2011-09
- 10 GBit suitable according to IEEE 802.3an
- suitable for Power over Ethernet (PoE, PoE plus and UPoE)
- IP67 protected housing
- increased diameter range of 10 mm for connection of cable jackets
- resistant to welding sputter
- industry-compatible housing with improved durability
- with anti-bend sleeve
- flammability class as per UL 94V-0
- improved resistance to chemical substances
- labeling on plug housing
- snap-on clip for color coding after assembly
- cable can be pushed through preassembled plug housing
- variants: field plug insert, plug insert, metal or plastic housing variants

# E-DAT Industry IP67 V1 plug housing bend protected + RJ45 field plug insert Cat.6 Class E<sub>A</sub>

P/N  
1401425012KE  
EAN 4250184114673

2015-06-07

## Technical Data

### General Data

Fields of application	Industrial Ethernet
Design	Plugs
Shielding	shielded
Transmission technology	Copper
Color	black
Dimensions	
Dimension (L x W x H)	130.40 x 30.00 x 30.00 mm
Dimension (L x W x H)	5.13 x 1.18 x 1.18 in.
Field assembly ability	yes
Labeling option	on housing
Marking option	by latching clip

### Transmission characteristics

Category (ISO)	6
Class (ISO/IEC)	E <sub>A</sub>
Category (TIA)	6
PoE	IEEE 802.3af
PoE plus	IEEE 802.3at
UPoE	yes
Transmission rate up to 10 GBit	IEEE 802.3an

### Connections/interfaces

Connector technology interface 1	IDC-connection
Connector technology interface 2	RJ45 plug
Number of ports interface 2	1
Number of ports interface 2 equipped	1
Number of positions/contacts interface 1	8
Number of positions/contacts interface 2	8P/8C
Protective housing interface 1	V1



# E-DAT Industry IP67 V1 plug housing bend protected + RJ45 field plug insert Cat.6 Class E<sub>A</sub>

P/N

1401425012KE

EAN 4250184114673

2015-06-07

## Technical Data

### Connections/interfaces

Termination data, solid wire (min. - max.)

Conductor cross section, solid wire	AWG 26 - 22
Conductor cross section, solid wire	0.128 - 0.324 mm <sup>2</sup>
Conductor diameter, solid wire (bare copper)	0.409 - 0.643 mm
Conductor diameter, solid wire (bare copper)	0.016 - 0.025 in.

Termination data, stranded wire (min. - max.)

Conductor cross section, stranded wire	AWG 26 - 22
Conductor cross section, stranded wire	0.141 - 0.355 mm <sup>2</sup>
Conductor diameter, stranded wire (bare copper)	0.483 - 0.762 mm
Conductor diameter, stranded wire (bare copper)	0.019 - 0.030 in.

Core diameter (min. - max.)

Core diameter (conductor with insulation)	0.85 - 1.60 mm
Core diameter (conductor with insulation)	0.03 - 0.06 in.

Cable sheath diameter (min. - max.)

Cable sheath diameter	5.50 - 10.00 mm
Cable sheath diameter	0.22 - 0.39 in.

Cable access/outlet 180°

### Electrical characteristics

Current carrying capacity	max. 1 A
Contact resistance	max. 20 mOhm
Insulation resistance	min. 500 MOhm
Dielectric strength conductor-conductor (secondary)	min. 1000 V DC

### Mechanical characteristics

Locking method (protective housing)	Bayonet
Insertion and withdrawal force	max. 30 N

### Materials and material properties

Material - Housing	GD-Zn (zinc die-cast)
Material - Housing finish	Ni (nickel)
Material - Protective housing	PA UL94 V0
Material - Insulation displacement contacts	CuSn (tin bronze)
Material - Finish of insulation displacement contacts	Sn (tin)
Material - Contact	CuSn (tin bronze)



# E-DAT Industry IP67 V1 plug housing bend protected + RJ45 field plug insert Cat.6 Class E<sub>A</sub>

P/N  
1401425012KE  
EAN 4250184114673

2015-06-07

## Technical Data

### Materials and material properties

Material - Contact finish	Ni + Au (nickel-gold)
Material - Contact carriers	PA UL94 V0
Material - Insulating body	PA UL94 V0
Material - Shield	Cu-Ni-Zn (nickel silver)
Material - Flat seal	NBR (nitrile butadiene rubber)
Material - Stuffer cap	PA UL94-V0
Material - Cable boot	Plastics
Material - Union nut/screw	PA UL94 V0
Material - Cap nut	PA (polyamide)
Material - Spring washer	Spring steel

### Environmental conditions

Temperature (min. - max.)	
Temperature - Storage °C	70 °C
Temperature - Storage °F	158 °F
Particulate ingress	IP6X with protective housing
Liquid ingress/immersion	IPX7 with protective housing
Rapid change of temperature	-40°C / -40°F - +70°C / +158°F / 25 cycles t=30 min
Damp heat	25 °C / +65 °C / 93% RH // -10 °C / -14 °C / 21 cycles
Flowing mixed gas	+25 °C / +77°F / 73% RH / 4 days, H2S / SO2
Resistance to welding beads	yes
Increased robustness	yes
Increased chemical resistance	yes
Electromagnetic measurement	E <sub>3</sub>
Vibration	50 m/s <sup>2</sup>
Shock	250 m/s <sup>2</sup>

### Certifications

Gost Certification	yes
--------------------	-----

Data sheet

Page 5/7

**E-DAT Industry IP67 V1 plug housing bend protected  
+ RJ45 field plug insert Cat.6 Class E<sub>A</sub>**

P/N  
1401425012KE  
EAN 4250184114673

2015-06-07

**Technical Data**

**Approvals**

CE	compliant
RoHS	compliant

**The product meets the following standards**

Generic cabling systems	
General requirements	ISO/IEC 11801 Ed.2.2: 2011-06   DIN EN 50173-1: 2011-09 TIA/EIA 568-B.2-10
Office buildings	ISO/IEC 11801 Ed.2.2: 2011-06   DIN EN 50173-2: 2011-09 TIA/EIA 568-C
Industrial area	ISO/IEC 24702   DIN EN 50173-3: 2011-09 TIA/EIA 1005
Living units	ISO/IEC 15018   DIN EN 50173-4: 2011-09 TIA/EIA 570-B
Application-specific communications cabling systems	
Profinet	Installation Guideline
Expansion of Communication Circuit Accessories (DUXR) Category	UL 1863
Connectors for electronic equipment	
Free and fixed connectors	DIN EN 60603-7-51:2011-01
Rectangular connectors	DIN EN 61076-3-106
Degrees of Protection Provided by Enclosures	IEC 60529
Interference proof	
Immunity for industrial environments	DIN EN 61000-6-2:2006-03
Emission proof	
Electromagnetic emission for residential, commercial and light-industrial environments	DIN EN 61000-6-3:2011-09

**Classifications**

ETIM 5.0	EC001121
----------	----------

**Packing details**

Type of packaging	5 pc(s) / box
Packaging unit - Weight (gram)	261.00 g
Packaging unit - Weight (pound)	0.57 lb
Packaging dimension (W x H x D)	247.00 x 161.00 x 58.00 mm
Packaging dimension (W x H x D)	9.72 x 6.34 x 2.28 in.

Data sheet

Page 6/7

**E-DAT Industry IP67 V1 plug housing bend protected  
+ RJ45 field plug insert Cat.6 Class E<sub>A</sub>**

P/N

1401425012KE

EAN 4250184114673

2015-06-07

**Accessories**

P/N	Designation
1401018002KI	Industry IP67 V1 plug protective cap
1401009001-I	Industry color coding ring V1/V4/V14 orange
1401009003-I	Industry color coding ring V1/V4/V14 light grey
1401009004-I	Industry color coding ring V1/V4/V14 white
1401009005-I	Industry color coding ring V1/V4/V14 yellow
1401009006-I	Industry color coding ring V1/V4/V14 blue
1401009007-I	Industry color coding ring V1/V4/V14 green



Data sheet

Page 7/7

**E-DAT Industry IP67 V1 plug housing bend protected  
+ RJ45 field plug insert Cat.6 Class E<sub>A</sub>**

P/N

1401425012KE

EAN 4250184114673

2015-06-07

**Illustrations**

Dimensional drawing

