

Data sheet

E-DAT Industry IP67 V1 plug housing + RJ45 field plug insert Cat.6 Class E_A

Page 1/6

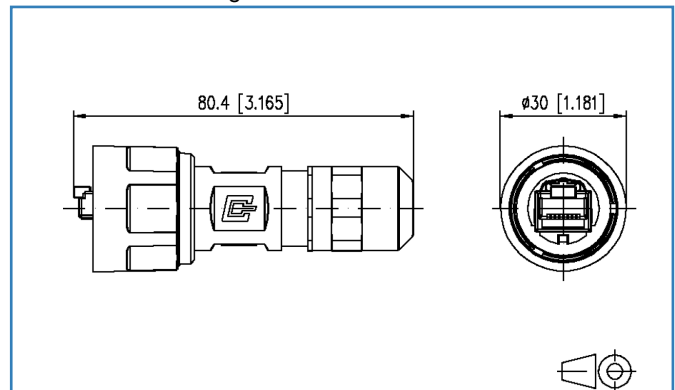
P/N
1401415012KE
EAN 4250184114666

2015-06-07

Illustrations



Dimensional drawing



See enlarged drawings at the end of document

Product specification

- Cat.6 class E_A connector in connector housing with bayonet lock acc.to ISO/IEC 24702 and IEC 61076-3-106 Var. 1
- compliance with class E_A to ISO/IEC 11801 Ed.2.2:2011-06, DIN EN 50173-1:2011-09
- 10 GBit suitable according to IEEE 802.3an
- suitable for Power over Ethernet (PoE, PoE plus and UPoE)
- IP67 protected housing
- increased diameter range of 10 mm for connection of cable jackets
- resistant to welding sputter
- industry-compatible housing with improved durability
- flammability class as per UL 94V-0
- improved resistance to chemical substances
- labeling on plug housing
- snap-on clip for color coding after assembly
- cable can be pushed through preassembled plug housing
- variants: field plug insert, plug insert, metal or plastic housing variants

Data sheet

Page 2/6

**E-DAT Industry IP67 V1 plug housing
+ RJ45 field plug insert Cat.6 Class E_A**

P/N
1401415012KE
EAN 4250184114666

2015-06-07

Technical Data

General Data

Fields of application	Industrial Ethernet
Design	Plugs
Shielding	shielded
Transmission technology	Copper
Color protective housing	black
Dimensions	
Dimension (L x W x H)	80.40 x 30.00 x 30.00 mm
Dimension (L x W x H)	3.17 x 1.18 x 1.18 in.
Field assembly ability	yes
Labeling option	on housing

Transmission characteristics

Category (ISO)	6
Class (ISO/IEC)	E _A
Category (TIA)	6
PoE	IEEE 802.3af
PoE plus	IEEE 802.3at
UPoE	yes
Transmission rate up to 10 GBit	IEEE 802.3an

Connections/interfaces

Connector technology interface 1	IDC-connection
Connector technology interface 2	RJ45 plug
Number of ports interface 2	1
Number of ports interface 2 equipped	1
Number of positions/contacts interface 1	8
Number of positions/contacts interface 2	8P/8C
Protective housing interface 1	V1
Cable sheath diameter (min. - max.)	
Cable sheath diameter	10.00 mm
Cable sheath diameter	0.41 in.
Cable access/outlet	180°



E-DAT Industry IP67 V1 plug housing + RJ45 field plug insert Cat.6 Class E_A

P/N
1401415012KE
EAN 4250184114666

2015-06-07

Technical Data

Electrical characteristics

Current carrying capacity	1 A
Dielectric strength conductor-conductor (secondary)	1000 V DC
Dielectric strength conductor-shield	1500 V DC

Mechanical characteristics

Locking method (protective housing)	Bayonet
-------------------------------------	---------

Materials and material properties

Material - Housing	GD-Zn (zinc die-cast)
Material - Housing finish	Ni (nickel)
Material - Protective housing	PA UL94 V0
Material - Insulation displacement contacts	CuSn (tin bronze)
Material - Finish of insulation displacement contacts	Sn (tin)
Material - Contact	CuSn (tin bronze)
Material - Contact finish	Ni + Au (nickel-gold)
Material - Contact carriers	PA UL94 V0
Material - Shield	Cu-Ni-Zn (nickel silver)
Material - Protective housing seal	NBR (nitrile butadiene rubber)
Material - Flat seal	NBR (nitrile butadiene rubber)
Material - Cap nut	PA (polyamide)
Material - Spring washer	Spring steel

Environmental conditions

Particulate ingress	IP6X with protective housing
Liquid ingress/immersion	IPX7 with protective housing
Rapid change of temperature	-40°C / -40°F - +70°C / 158°F / 25 cycles t=30 min
Damp heat	+25°C / +77°F / +65°C / +149°F / 93% RH // -10°C / -14°F / 21 cycles
Flowing mixed gas	+25 °C / +77°F / 73% RH / 4 days, H2S / SO2
Salt spray fog test (NSS Test)	35 °C / 95 °F / 4 days, 5% NaCL
Resistance to welding beads	yes
Increased robustness	yes
Increased chemical resistance	yes
Electromagnetic measurement	E ₃
Vibration	50 m/s ²
Shock	250 m/s ²



E-DAT Industry IP67 V1 plug housing + RJ45 field plug insert Cat.6 Class E_A

P/N

1401415012KE

EAN 4250184114666

2015-06-07

Technical Data

Certifications

Gost Certification yes

Approvals

CE compliant

RoHS compliant

The product meets the following standards

Generic cabling systems

General requirements ISO/IEC 11801 Ed.2.2: 2011-06 | DIN EN 50173-1: 2011-09
TIA/EIA 568-C

Office buildings ISO/IEC 11801 Ed.2.2: 2011-06 | DIN EN 50173-2: 2011-09
TIA/EIA 568-C

Industrial area ISO/IEC 24702 | DIN EN 50173-3: 2011-09
TIA/EIA 1005

Living units ISO/IEC 15018 | DIN EN 50173-4: 2011-09
TIA/EIA 570-B

Industrial communication networks - Installation of
communication networks in industrial premises IEC 61918

Connectors for electronic equipment

Free and fixed connectors DIN EN 60603-7-51:2011-01

Rectangular connectors DIN EN 61076-3-106

Degrees of Protection Provided by Enclosures IEC 60529

Interference proof

Immunity for industrial environments DIN EN 61000-6-2:2006-03

Emission proof

Electromagnetic emission for residential,
commercial and light-industrial environments DIN EN 61000-6-3:2011-09

Classifications

ETIM 5.0 EC001121

Packing details

Type of packaging 10 pc(s) / box

Packaging unit - Weight (gram) 436.00 g

Packaging unit - Weight (pound) 0.96 lb

Packaging dimension (W x H x D) 247.00 x 161.00 x 58.00 mm

Packaging dimension (W x H x D) 9.72 x 6.34 x 2.28 in.

Data sheet

Page 5/6

**E-DAT Industry IP67 V1 plug housing
+ RJ45 field plug insert Cat.6 Class E_A**

P/N

1401415012KE

EAN 4250184114666

2015-06-07

Accessories

P/N	Designation
1401018002KI	Industry IP67 V1 plug protective cap
1401009001-I	Industry color coding ring V1/V4/V14 orange
1401009003-I	Industry color coding ring V1/V4/V14 light grey
1401009004-I	Industry color coding ring V1/V4/V14 white
1401009005-I	Industry color coding ring V1/V4/V14 yellow
1401009006-I	Industry color coding ring V1/V4/V14 blue
1401009007-I	Industry color coding ring V1/V4/V14 green



Data sheet

Page 6/6

**E-DAT Industry IP67 V1 plug housing
+ RJ45 field plug insert Cat.6 Class E_A**

P/N

1401415012KE

EAN 4250184114666

2015-06-07

Illustrations

Dimensional drawing

