

## Data sheet

### E-DAT Industry IP67 V1 metal plug housing + RJ45 field plug insert Cat.6 Class E<sub>A</sub>

Page 1/7

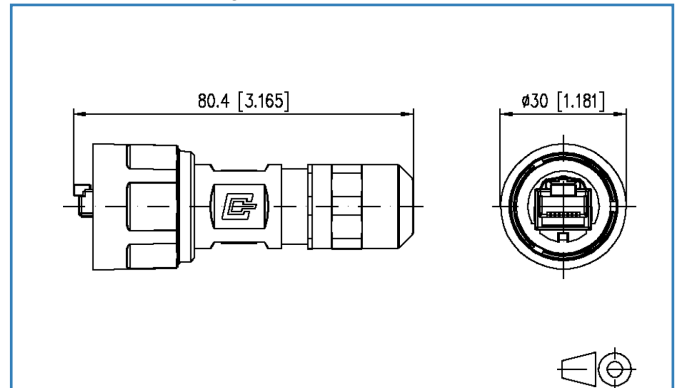
P/N  
1401415010ME  
EAN 4250184114536

2015-06-07

## Illustrations



Dimensional drawing



See enlarged drawings at the end of document

## Product specification

- Cat.6 class E<sub>A</sub> connector in connector housing with bayonet lock acc.to ISO/IEC 24702 and IEC 61076-3-106 Var. 1
- compliance with class E<sub>A</sub> to ISO/IEC 11801 Ed.2.2:2011-06, DIN EN 50173-1:2011-09
- 10 GBit suitable according to IEEE 802.3an
- suitable for Power over Ethernet (PoE, PoE plus and UPoE)
- IP67 protected housing
- increased diameter range of 10 mm for connection of cable jackets
- resistant to welding sputter
- industry-compatible housing with improved durability
- flammability class as per UL 94V-0
- improved resistance to chemical substances
- labeling on plug housing
- snap-on clip for color coding after assembly
- cable can be pushed through preassembled plug housing
- variants: field plug insert, plug insert, metal or plastic housing variants

Data sheet

Page 2/7

**E-DAT Industry IP67 V1 metal plug housing  
+ RJ45 field plug insert Cat.6 Class E<sub>A</sub>**

P/N  
1401415010ME  
EAN 4250184114536

2015-06-07

**Technical Data**

**General Data**

Fields of application	Industrial Ethernet
Design	Plugs
Shielding	shielded
Transmission technology	Copper
Color protective housing	black
Dimensions	
Dimension (L x W x H)	80.40 x 30.00 x 30.00 mm
Dimension (L x W x H)	3.17 x 1.18 x 1.18 in.
Field assembly ability	yes
Labeling option	on housing

**Transmission characteristics**

Category (ISO)	6
Class (ISO/IEC)	E <sub>A</sub>
Category (TIA)	6
PoE	IEEE 802.3af
PoE plus	IEEE 802.3at
UPoE	yes
Transmission rate up to 10 GBit	IEEE 802.3an

**Connections/interfaces**

Connector technology interface 1	IDC-connection
Connector technology interface 2	RJ45 plug
Number of ports interface 2	1
Number of ports interface 2 equipped	1
Number of positions/contacts interface 1	8
Number of positions/contacts interface 2	8P/8C
Protective housing interface 1	V1



## E-DAT Industry IP67 V1 metal plug housing + RJ45 field plug insert Cat.6 Class E<sub>A</sub>

P/N  
1401415010ME  
EAN 4250184114536

2015-06-07

### Technical Data

#### Connections/interfaces

Termination data, solid wire (min. - max.)

Conductor cross section, solid wire	AWG 26 - 22
Conductor cross section, solid wire	0.128 - 0.324 mm <sup>2</sup>
Conductor diameter, solid wire (bare copper)	0.409 - 0.643 mm
Conductor diameter, solid wire (bare copper)	0.016 - 0.025 in.

Termination data, stranded wire (min. - max.)

Conductor cross section, stranded wire	AWG 26 - 22
Conductor cross section, stranded wire	0.141 - 0.355 mm <sup>2</sup>
Conductor diameter, stranded wire (bare copper)	0.483 - 0.762 mm
Conductor diameter, stranded wire (bare copper)	0.019 - 0.030 in.

Cable sheath diameter (min. - max.)

Cable sheath diameter	5.00 - 10.00 mm
Cable sheath diameter	0.20 - 0.41 in.

Cable access/outlet	180°
---------------------	------

#### Mechanical characteristics

Locking method (protective housing)	Bayonet
-------------------------------------	---------

#### Materials and material properties

Material - Housing	GD-Zn (zinc die-cast)
Material - Housing finish	Ni (nickel)
Material - Protective housing	GD-Zn (zinc die-cast)
Material - Protective housing finish	Ni (nickel)
Material - Contact	CuSn (tin bronze)
Material - Contact finish	Ni + Au (nickel-gold)
Material - Contact carriers	PA UL94 V0
Material - Shield	Cu-Ni-Zn (nickel silver)
Material - Flat seal	NBR (nitrile butadiene rubber)
Material - Latch	Plastics
Material - Cap nut	CuZn (brass)



**Data sheet**  
**E-DAT Industry IP67 V1 metal plug housing**  
**+ RJ45 field plug insert Cat.6 Class E<sub>A</sub>**

**Technical Data**

**Environmental conditions**

Temperature (min. - max.)	
Temperature - Storage °C	70 °C
Temperature - Storage °F	158 °F
Particulate ingress	IP6X with protective housing
Liquid ingress/immersion	IPX7 with protective housing
Rapid change of temperature	-40°C / -40°F - +70°C / 158°F / 25 cycles t=30 min
Damp heat	+25°C / +77°F / +65°C / +149°F / 93% RH // -10°C / -14°F / 21 cycles
Salt spray fog test (NSS Test)	35 °C / 95 °F / 4 days, 5% NaCL
Resistance to welding beads	yes
Increased robustness	yes
Increased chemical resistance	yes
Electromagnetic measurement	E <sub>3</sub>

**Certifications**

Gost Certification	yes
--------------------	-----

**Approvals**

CE	compliant
RoHS	compliant

**The product meets the following standards**

Generic cabling systems	
General requirements	ISO/IEC 11801 Ed.2.2: 2011-06   DIN EN 50173-1: 2011-09 TIA/EIA 568-C
Office buildings	ISO/IEC 11801 Ed.2.2: 2011-06   DIN EN 50173-2: 2011-09 TIA/EIA 568-C
Industrial area	ISO/IEC 24702   DIN EN 50173-3: 2011-09 TIA/EIA 1005
Living units	ISO/IEC 15018   DIN EN 50173-4: 2011-09 TIA/EIA 570-B
Expansion of Communication Circuit Accessories (DUXR) Category	UL 1863
Connectors for electronic equipment	
Free and fixed connectors	DIN EN 60603-7-51:2011-01
Rectangular connectors	DIN EN 61076-3-106
Degrees of Protection Provided by Enclosures	IEC 60529

Data sheet

Page 5/7

## E-DAT Industry IP67 V1 metal plug housing + RJ45 field plug insert Cat.6 Class E<sub>A</sub>

P/N  
1401415010ME  
EAN 4250184114536

2015-06-07

### Technical Data

#### The product meets the following standards

##### Interference proof

Immunity for industrial environments	DIN EN 61000-6-2:2006-03
--------------------------------------	--------------------------

##### Emission proof

Electromagnetic emission for residential, commercial and light-industrial environments	DIN EN 61000-6-3:2011-09
--	--------------------------

#### Classifications

ETIM 5.0	EC001121
----------	----------

#### Packing details

Type of packaging	10 pc(s) / box
Packaging unit - Weight (gram)	1116.00 g
Packaging unit - Weight (pound)	2.46 lb
Packaging dimension (W x H x D)	247.00 x 161.00 x 58.00 mm
Packaging dimension (W x H x D)	9.72 x 6.34 x 2.28 in.



Data sheet

Page 6/7

**E-DAT Industry IP67 V1 metal plug housing  
+ RJ45 field plug insert Cat.6 Class E<sub>A</sub>**

P/N

1401415010ME

EAN 4250184114536

2015-06-07

**Accessories**

P/N	Designation
1401018002KI	Industry IP67 V1 plug protective cap
1401009001-I	Industry color coding ring V1/V4/V14 orange
1401009003-I	Industry color coding ring V1/V4/V14 light grey
1401009004-I	Industry color coding ring V1/V4/V14 white
1401009005-I	Industry color coding ring V1/V4/V14 yellow
1401009006-I	Industry color coding ring V1/V4/V14 blue
1401009007-I	Industry color coding ring V1/V4/V14 green



Data sheet

Page 7/7

**E-DAT Industry IP67 V1 metal plug housing  
+ RJ45 field plug insert Cat.6 Class E<sub>A</sub>**

P/N

1401415010ME

EAN 4250184114536

2015-06-07

**Illustrations**

Dimensional drawing

