

Data sheet

E-DAT Industry IP67 V14 bulkhead central screw mounting + RJ45 coupler insert Cat.6 Class E_A

P/N

1401293310ME

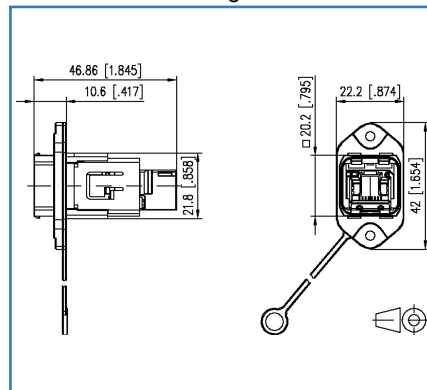
EAN 4250184123651

2015-06-07

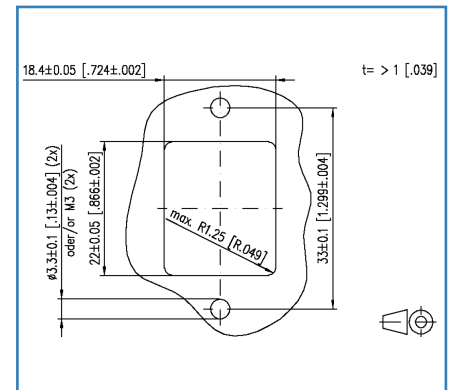
Illustrations



Dimensional drawing



Cut-out



See enlarged drawings at the end of document

Product specification

- RJ45 termination unit in flange housing with push-pull-lock acc. to ISO/IEC 24702 and IEC 61076-3-106 standards, var. 14
- push-pull locking
- field jack insert: compliance with class E_A to ISO/IEC 11801 Ed.2.2:2011-06, DIN EN 50173-1:2011-09
- coupler insert: compliance with class E to ISO/IEC 11801 Ed.2.2:2011-06, DIN EN 50173-1:2011-09
- 10 GBit suitable according to IEEE 802.3an
- suitable for Power over Ethernet (PoE, PoE plus and UPoE)
- IP67 protected housing
- no special tools required
- easy to mount due to standard fastening by means of two screws (M3) (not included in scope of delivery)
- mounting from the front
- industry-compatible metal housing with improved durability
- flammability class as per UL 94V-0
- improved resistance to chemical substances
- grounding possible on RJ45 insert using 2.8 mm contact pins
- variants: field jack insert, coupler insert

Data sheet

Page 2/6

**E-DAT Industry IP67 V14 bulkhead central screw mounting
+ RJ45 coupler insert Cat.6 Class E_A**

P/N
1401293310ME
EAN 4250184123651

2015-06-07

Technical Data

General Data

Fields of application	Industrial Ethernet
Design	Adapter
Mounting style	front side
Shielding	shielded
Transmission technology	Copper
Dimensions	
Dimension (L x W x H)	46.86 x 22.20 x 42.00 mm
Dimension (L x W x H)	1.84 x 0.87 x 1.65 in.
Field assembly ability	yes
Labeling option	on housing

Transmission characteristics

Category (ISO)	6
Class (ISO/IEC)	E _A
Category (TIA)	6
PoE	IEEE 802.3af
PoE plus	IEEE 802.3at
UPoE	yes
Transmission rate up to 10 GBit	IEEE 802.3an

Connections/interfaces

Connector technology interface 1	RJ45-jack
Connector technology interface 2	RJ45-jack
Number of ports interface 1	1
Number of ports interface 2	1
Number of equipped ports interface 1	1
Number of ports interface 2 equipped	1
Number of positions/contacts interface 1	8P/8C
Number of positions/contacts interface 2	8P/8C
Protective housing interface 1	V14



Data sheet

Page 3/6

**E-DAT Industry IP67 V14 bulkhead central screw mounting
+ RJ45 coupler insert Cat.6 Class E_A**

P/N
1401293310ME
EAN 4250184123651

2015-06-07

Technical Data

Mechanical characteristics

Locking method (protective housing)	Push Pull
Mounting method	with screws
Position/mounting of latch - standard installation position	top

Materials and material properties

Material - Protective housing	GD-Zn (zinc die-cast)
Material - Protective housing seal	NBR (nitrile butadiene rubber)

Environmental conditions

Particulate ingress	IP6X with protective housing
Liquid ingress/immersion	IPX7 with protective housing
Increased robustness	yes
Increased chemical resistance	yes
Electromagnetic measurement	E ₃

Certifications

Gost Certification	yes
--------------------	-----

Approvals

RoHS	compliant
------	-----------

The product meets the following standards

Generic cabling systems	
General requirements	ISO/IEC 11801 Ed.2.2: 2011-06 DIN EN 50173-1: 2011-09 TIA/EIA 568-C
Office buildings	ISO/IEC 11801 Ed.2.2: 2011-06 DIN EN 50173-2: 2011-09 TIA/EIA 568-C
Industrial area	ISO/IEC 24702 DIN EN 50173-3: 2011-09 TIA/EIA 1005
Living units	ISO/IEC 15018 DIN EN 50173-4: 2011-09 TIA/EIA 570-B
Connectors for electronic equipment	
Free and fixed connectors	DIN EN 60603-7-51:2011-01
Rectangular connectors	DIN EN 61076-3-117
Degrees of Protection Provided by Enclosures	IEC 60529



Data sheet

Page 4/6

E-DAT Industry IP67 V14 bulkhead central screw mounting + RJ45 coupler insert Cat.6 Class E_A

P/N
1401293310ME
EAN 4250184123651

2015-06-07

Technical Data

The product meets the following standards

Interference proof

Immunity for industrial environments	DIN EN 61000-6-2:2006-03
--------------------------------------	--------------------------

Emission proof

Electromagnetic emission for residential, commercial and light-industrial environments	DIN EN 61000-6-3:2011-09
--	--------------------------

Classifications

ETIM 5.0	EC002597
----------	----------

Packing details

Type of packaging	10 pc(s) / box
Packaging unit - Weight (gram)	726.00 g
Packaging unit - Weight (pound)	1.60 lb
Packaging dimension (W x H x D)	247.00 x 161.00 x 58.00 mm
Packaging dimension (W x H x D)	9.72 x 6.34 x 2.28 in.



Data sheet

Page 5/6

E-DAT Industry IP67 V14 bulkhead central screw mounting + RJ45 coupler insert Cat.6 Class E_A

P/N

1401293310ME

EAN 4250184123651

2015-06-07

Accessories

P/N	Designation
1401088102KI	E-DAT Industry IP67 V14 bulkhead protection cap



Data sheet

Page 6/6

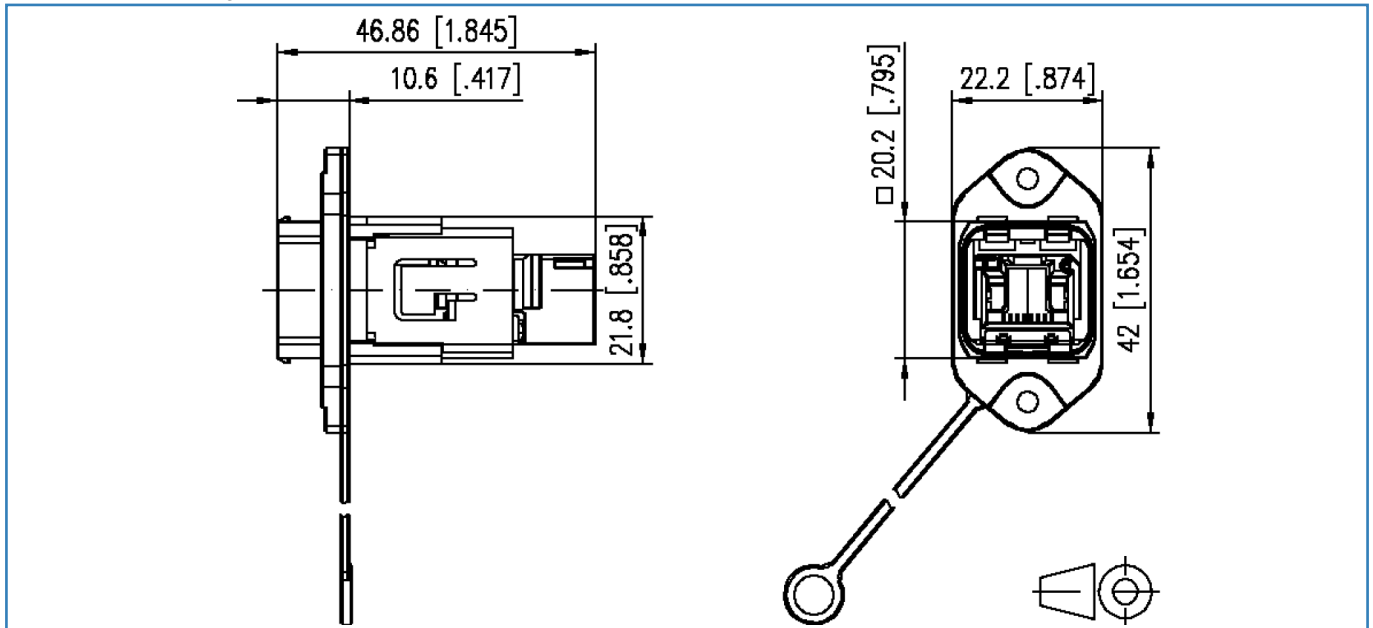
**E-DAT Industry IP67 V14 bulkhead central screw mounting
+ RJ45 coupler insert Cat.6 Class E_A**

P/N
1401293310ME
EAN 4250184123651

2015-06-07

Illustrations

Dimensional drawing



Cut-out

