

Data sheet

E-DAT Industry IP67 V4 bulkhead + RJ45 coupler insert Cat.6 Class E_A

Page 1/6

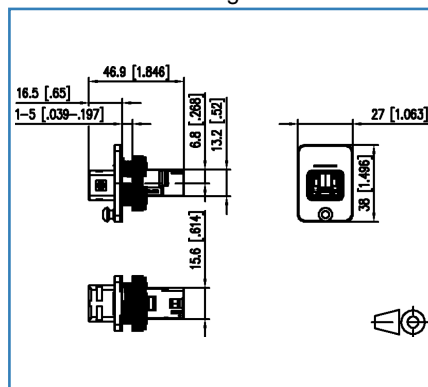
P/N
1401243312KE
EAN 4250184114925

2015-06-07

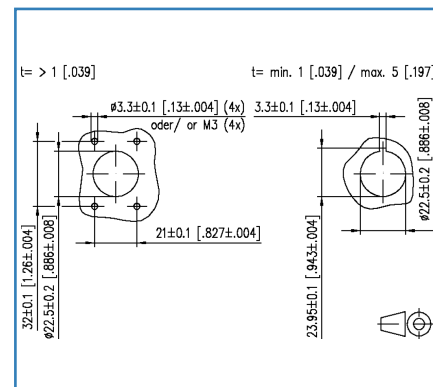
Illustrations



Dimensional drawing



Cut-out



See enlarged drawings at the end of document

Product specification

- RJ45 termination unit in flange housing with push-pull-lock acc. to ISO/IEC 24702 and IEC 61076-3-106 standards, var. 4
- field jack insert: compliance with class E_A to ISO/IEC 11801 Ed.2.2:2011-06, DIN EN 50173-1:2011-09
- coupler insert: compliance with class E to ISO/IEC 11801 Ed.2.2:2011-06, DIN EN 50173-1:2011-09
- 10 GBit suitable according to IEEE 802.3an
- suitable for Power over Ethernet (PoE, PoE plus and UPoE)
- IP67 protected housing
- no special tools required
- easy to mount due to round wall recesses made with inserts for commercially available punch pliers
- only one version for central screwing; alternative mounting with 4 screws (M3) (not included in scope of delivery)
- industry-compatible plastic housing with improved durability
- flammability class as per UL 94V-0
- improved resistance to chemical substances
- grounding possible on RJ45 insert using 2.8 mm contact pins
- variants: field jack insert, coupler insert

E-DAT Industry IP67 V4 bulkhead + RJ45 coupler insert Cat.6 Class E_A

P/N
1401243312KE
EAN 4250184114925

2015-06-07

Technical Data

General Data

Fields of application	Industrial Ethernet
Design	Adapter
Mounting style	front side
Shielding	shielded
Transmission technology	Copper
Color	black
Dimensions	
Dimension (L x W x H)	49.00 x 27.00 x 38.00 mm
Dimension (L x W x H)	1.93 x 1.06 x 1.50 in.
Field assembly ability	yes
Labeling option	on housing

Transmission characteristics

Category (ISO)	6
Class (ISO/IEC)	E _A
Category (TIA)	6
PoE	IEEE 802.3af
PoE plus	IEEE 802.3at
UPoE	yes
Transmission rate up to 10 GBit	IEEE 802.3an

Connections/interfaces

Connector technology interface 1	RJ45-jack
Connector technology interface 2	RJ45-jack
Number of ports interface 1	1
Number of ports interface 2	1
Number of equipped ports interface 1	1
Number of ports interface 2 equipped	1
Number of positions/contacts interface 1	8P/8C
Number of positions/contacts interface 2	8P/8C
Protective housing interface 1	V4



E-DAT Industry IP67 V4 bulkhead + RJ45 coupler insert Cat.6 Class E_A

P/N
1401243312KE
EAN 4250184114925

2015-06-07

Technical Data

Mechanical characteristics

Locking method (protective housing)	Push Pull
Mounting method	with screws or central nut
Position/mounting of latch - standard installation position	top

Materials and material properties

Material - Housing	GD-Zn (zinc die-cast)
Material - Protective housing	PA UL94 V0
Material - Protective housing seal	NBR (nitrile butadiene rubber)
Material - Moulded seal	EPDM (ethylene-propylene-diene)

Environmental conditions

Particulate ingress	IP6X with protective housing
Liquid ingress/immersion	IPX7 with protective housing
Increased robustness	yes
Increased chemical resistance	yes
Electromagnetic measurement	E ₃

Certifications

Gost Certification	yes
--------------------	-----

Approvals

CE	compliant
RoHS	compliant

The product meets the following standards

Generic cabling systems	
General requirements	ISO/IEC 11801 Ed.2.2: 2011-06 DIN EN 50173-1: 2011-09 TIA/EIA 568-C
Office buildings	ISO/IEC 11801 Ed.2.2: 2011-06 DIN EN 50173-2: 2011-09 TIA/EIA 568-C
Industrial area	ISO/IEC 24702 DIN EN 50173-3: 2011-09 TIA/EIA 1005
Living units	ISO/IEC 15018 DIN EN 50173-4: 2011-09 TIA/EIA 570-B



Data sheet

Page 4/6

E-DAT Industry IP67 V4 bulkhead + RJ45 coupler insert Cat.6 Class E_A

P/N

1401243312KE

EAN 4250184114925

2015-06-07

Technical Data

The product meets the following standards

Connectors for electronic equipment

Free and fixed connectors	DIN EN 60603-7-51:2011-01
---------------------------	---------------------------

Rectangular connectors	DIN EN 61076-3-106
------------------------	--------------------

Degrees of Protection Provided by Enclosures	IEC 60529
--	-----------

Interference proof

Immunity for industrial environments	DIN EN 61000-6-2:2006-03
--------------------------------------	--------------------------

Emission proof

Electromagnetic emission for residential, commercial and light-industrial environments	DIN EN 61000-6-3:2011-09
--	--------------------------

Classifications

ETIM 5.0	EC002597
----------	----------

Packing details

Type of packaging	10 pc(s) / box
-------------------	----------------

Packaging unit - Weight (gram)	437.00 g
--------------------------------	----------

Packaging unit - Weight (pound)	0.96 lb
---------------------------------	---------

Packaging dimension (W x H x D)	247.00 x 161.00 x 58.00 mm
---------------------------------	----------------------------

Packaging dimension (W x H x D)	9.72 x 6.34 x 2.28 in.
---------------------------------	------------------------

Data sheet

Page 5/6

**E-DAT Industry IP67 V4 bulkhead
+ RJ45 coupler insert Cat.6 Class E_A**

P/N

1401243312KE

EAN 4250184114925

2015-06-07

Accessories

P/N	Designation
1401048102KI	Industry IP67 V4 bulkhead protective cap
140310-E	Screwdriver bulkhead V4



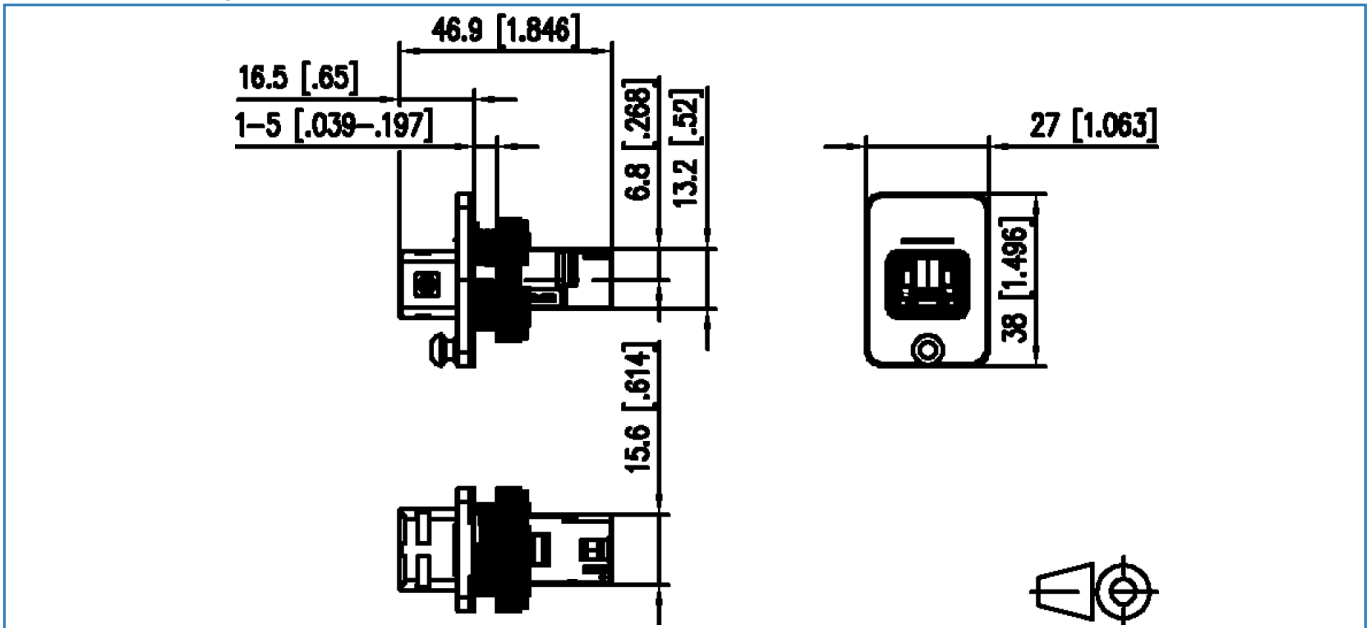
**E-DAT Industry IP67 V4 bulkhead
+ RJ45 coupler insert Cat.6 Class E_A**

P/N
1401243312KE
EAN 4250184114925

2015-06-07

Illustrations

Dimensional drawing



Cut-out

