

Data sheet

E-DAT Industry IP67 V5 metal bulkhead + RJ45 field jack insert Cat.6 Class E_A, T568B

Page 1/6

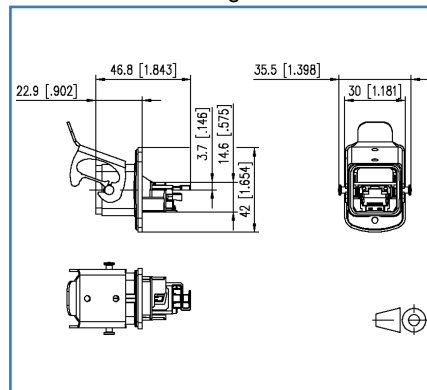
P/N
1401163310ME
EAN 4250184114970

2015-06-07

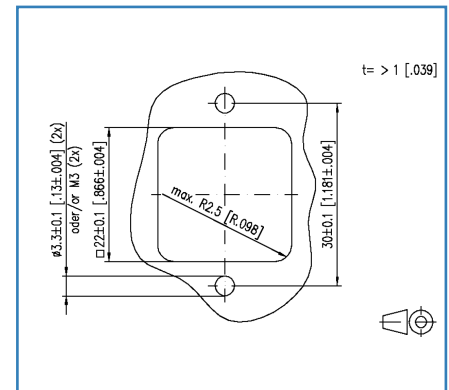
Illustrations



Dimensional drawing



Cut-out



See enlarged drawings at the end of document

Product specification

- RJ45 termination unit in flange housing with clamp lock acc. to 61076-3-106 standard, var. 5
- field jack insert: compliance with class E_A to ISO/IEC 11801 Ed.2.2:2011-06, DIN EN 50173-1:2011-09
- coupler insert: compliance with class E to ISO/IEC 11801 Ed.2.2:2011-06, DIN EN 50173-1:2011-09
- 10 GBit suitable according to IEEE 802.3an
- suitable for Power over Ethernet (PoE, PoE plus and UPoE)
- IP67 protected housing
- no special tools required
- industry-compatible metal housing with improved durability
- flammability class as per UL 94V-0
- improved resistance to chemical substances
- grounding possible on RJ45 insert using 2.8 mm contact pins
- connection of RJ45 plugs available on the market (no IP protection)
- fastening screws are not included in the scope of delivery
- variants: field jack insert, coupler insert

**E-DAT Industry IP67 V5 metal bulkhead
+ RJ45 field jack insert Cat.6 Class E_A, T568B**

P/N
1401163310ME
EAN 4250184114970

2015-06-07

Technical Data

General Data

Fields of application	Industrial Ethernet
Design	Jack
Mounting style	front side
Shielding	shielded
Transmission technology	Copper
Color	gray
Dimensions	
Dimension (L x W)	46.80 x 35.50 mm
Dimension (L x W)	1.84 x 1.40 in.
Field assembly ability	yes
Labeling option	on housing

Transmission characteristics

Category (ISO)	6
Class (ISO/IEC)	E _A
Category (TIA)	6
PoE	IEEE 802.3af
PoE plus	IEEE 802.3at
UPoE	yes
Transmission rate up to 10 GBit	IEEE 802.3an

Connections/interfaces

Connector technology interface 1	IDC-connection
Connector technology interface 2	RJ45-jack
Number of ports interface 2	1
Number of ports interface 2 equipped	1
Number of positions/contacts interface 1	8
Number of positions/contacts interface 2	8P/8C
Protective housing interface 1	V5
Cable access/outlet	180°



Data sheet

Page 3/6

**E-DAT Industry IP67 V5 metal bulkhead
+ RJ45 field jack insert Cat.6 Class E_A, T568B**

P/N
1401163310ME
EAN 4250184114970

2015-06-07

Technical Data

Mechanical characteristics

Locking method (protective housing)	clamp lock
Position/mounting of latch - standard installation position	top

Materials and material properties

Material - Housing	GD-Zn (zinc die-cast)
Material - Protective housing	die-cast aluminium
Material - Protective housing finish	powder-coated
Material - Protective housing seal	NBR (nitrile butadiene rubber)
Material - Adapter	PC UL94-V0
Material - Locking latch	stainless steel

Environmental conditions

Particulate ingress	IP6X with protective housing
Liquid ingress/immersion	IPX7 with protective housing
Increased robustness	yes
Increased chemical resistance	yes
Electromagnetic measurement	E ₃

Certifications

Gost Certification	yes
--------------------	-----

Approvals

CE	compliant
RoHS	compliant

The product meets the following standards

Generic cabling systems	
General requirements	ISO/IEC 11801 Ed.2.2: 2011-06 DIN EN 50173-1: 2011-09 TIA/EIA 568-C
Office buildings	ISO/IEC 11801 Ed.2.2: 2011-06 DIN EN 50173-2: 2011-09 TIA/EIA 568-C
Industrial area	ISO/IEC 24702 DIN EN 50173-3: 2011-09 TIA/EIA 1005
Living units	ISO/IEC 15018 DIN EN 50173-4: 2011-09 TIA/EIA 570-B



Data sheet

Page 4/6

E-DAT Industry IP67 V5 metal bulkhead + RJ45 field jack insert Cat.6 Class E_A, T568B

P/N
1401163310ME
EAN 4250184114970

2015-06-07

Technical Data

The product meets the following standards

Connectors for electronic equipment

Free and fixed connectors DIN EN 60603-7-51:2011-01

Rectangular connectors DIN EN 61076-3-106

Degrees of Protection Provided by Enclosures IEC 60529

Interference proof

Immunity for industrial environments DIN EN 61000-6-2:2006-03

Emission proof

Electromagnetic emission for residential,
commercial and light-industrial environments DIN EN 61000-6-3:2011-09

Classifications

ETIM 5.0 EC002597

Packing details

Type of packaging 10 pc(s) / box

Packaging unit - Weight (gram) 466.00 g

Packaging unit - Weight (pound) 1.03 lb

Packaging dimension (W x H x D) 247.00 x 161.00 x 58.00 mm

Packaging dimension (W x H x D) 9.72 x 6.34 x 2.28 in.



Data sheet

Page 5/6

**E-DAT Industry IP67 V5 metal bulkhead
+ RJ45 field jack insert Cat.6 Class E_A, T568B**

P/N

1401163310ME

EAN 4250184114970

2015-06-07

Accessories

P/N	Designation
1401068100MI	Industry IP67 V5 metal bulkhead protective cap



Data sheet

Page 6/6

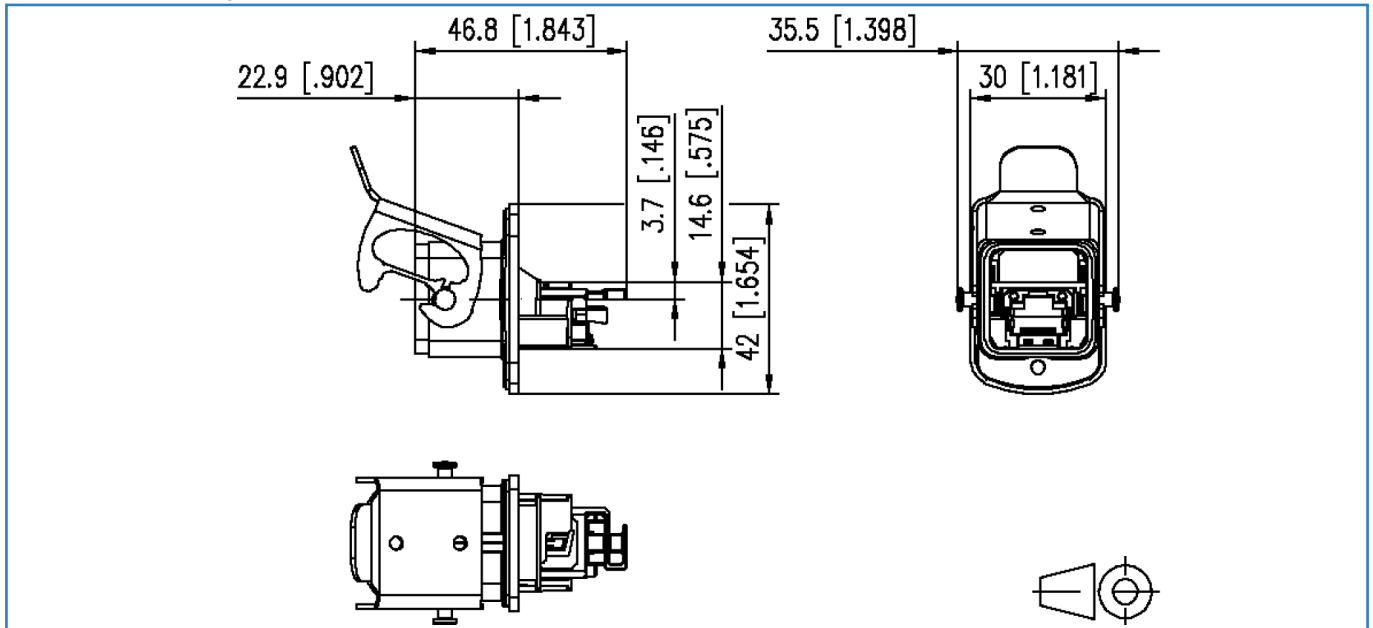
**E-DAT Industry IP67 V5 metal bulkhead
+ RJ45 field jack insert Cat.6 Class E_A, T568B**

P/N
1401163310ME
EAN 4250184114970

2015-06-07

Illustrations

Dimensional drawing



Cut-out

