

Data sheet

E-DAT Industry IP67 V1 bulkhead + RJ45 field jack insert Cat.6 Class E_A, T568B

Page 1/6

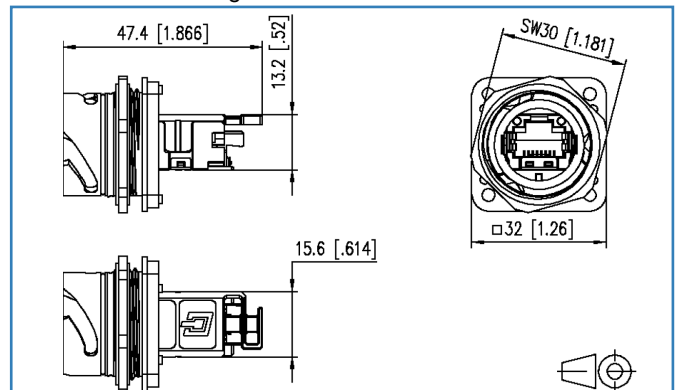
P/N
1401113312KE
EAN 4250184115038

2015-06-07

Illustrations



Dimensional drawing



See enlarged drawings at the end of document

Product specification

- RJ45 termination unit in flange housing with bayonet lock acc. to ISO/IEC 24702 and IEC 61076-3-106 standards, var. 1
- field jack insert: compliance with class E_A to ISO/IEC 11801 Ed.2.2:2011-06, DIN EN 50173-1:2011-09
- coupler insert: compliance with class E to ISO/IEC 11801 Ed.2.2:2011-06, DIN EN 50173-1:2011-09
- 10 GBit suitable according to IEEE 802.3an
- suitable for Power over Ethernet (PoE, PoE plus and UPoE)
- protected housing
- no special tools required
- easy to mount due to round wall recesses made with inserts for commercially available punch pliers
- only one version for central screwing; alternative mounting with 4 screws (M3) (not included in scope of delivery)
- mounting on front and back side
- industry-compatible housing with improved durability
- flammability class as per UL 94V-0
- improved resistance to chemical substances
- grounding possible on RJ45 insert using 2.8 mm contact pins
- variants: field jack insert, coupler insert, metal or plastic housing variants

**E-DAT Industry IP67 V1 bulkhead
+ RJ45 field jack insert Cat.6 Class E_A, T568B**

P/N
1401113312KE
EAN 4250184115038

2015-06-07

Technical Data

General Data

Fields of application	Industrial Ethernet
Design	Jack
Mounting style	front or back side
Shielding	shielded
Transmission technology	Copper
Color	black
Dimensions	
Dimension (L x W x H)	47.40 x 32.00 x 32.00 mm
Dimension (L x W x H)	1.87 x 1.26 x 1.26 in.
Field assembly ability	yes

Transmission characteristics

Category (ISO)	6
Class (ISO/IEC)	E _A
Category (TIA)	6
PoE	IEEE 802.3af
PoE plus	IEEE 802.3at
UPoE	yes
Transmission rate up to 10 GBit	IEEE 802.3an

Connections/interfaces

Connector technology interface 1	IDC-connection
Connector technology interface 2	RJ45-jack
Number of ports interface 2	1
Number of ports interface 2 equipped	1
Number of positions/contacts interface 1	8
Number of positions/contacts interface 2	8P/8C
Protective housing interface 1	V1
Cable access/outlet	180°



**E-DAT Industry IP67 V1 bulkhead
+ RJ45 field jack insert Cat.6 Class E_A, T568B**

P/N
1401113312KE
EAN 4250184115038

2015-06-07

Technical Data

Mechanical characteristics

Locking method (protective housing)	Bayonet
Mounting method	with screws or central nut
Position/mounting of latch - standard installation position	top

Materials and material properties

Material - Housing	GD-Zn (zinc die-cast)
Material - Housing finish	CuSnZn
Material - Protective housing	PA UL94 V0
Material - Insulation displacement contacts	CuNi2Si
Material - Finish of insulation displacement contacts	Sn (tin)
Material - Contact	Spring steel
Material - Contact finish	Ni + Au (nickel-gold)
Material - Insulating body	PC UL94 V0
Material - Shield	Cu-Ni-Zn (nickel silver)
Material - Protective housing seal	NBR (nitrile butadiene rubber)
Material - Thin nut	PA UL94 V0

Environmental conditions

Particulate ingress	IP6X with protective housing
Liquid ingress/immersion	IPX7 with protective housing
Rapid change of temperature	-40°C / -40°F - +70°C / +158°F / 25 cycles t=30 min
Damp heat	25 °C / +65 °C / 93% RH // -10 °C / -14 °C / 21 cycles
Flowing mixed gas	+25 °C / +77°F / 73% RH / 4 days, H2S / SO2
Increased robustness	yes
Increased chemical resistance	yes
Electromagnetic measurement	E ₃

Certifications

Gost Certification	yes
--------------------	-----



**E-DAT Industry IP67 V1 bulkhead
+ RJ45 field jack insert Cat.6 Class E_A, T568B**

P/N
1401113312KE
EAN 4250184115038

2015-06-07

Technical Data

Approvals

CE	compliant
RoHS	compliant

The product meets the following standards

Generic cabling systems

General requirements	ISO/IEC 11801 Ed.2.2: 2011-06 DIN EN 50173-1: 2011-09 TIA/EIA 568-C
Office buildings	ISO/IEC 11801 Ed.2.2: 2011-06 DIN EN 50173-2: 2011-09 TIA/EIA 568-C
Industrial area	ISO/IEC 24702 DIN EN 50173-3: 2011-09 TIA/EIA 1005
Living units	ISO/IEC 15018 DIN EN 50173-4: 2011-09 TIA/EIA 570-B

Expansion of Communication Circuit Accessories (DUXR) Category

Connectors for electronic equipment	UL 1863
-------------------------------------	---------

Free and fixed connectors	DIN EN 60603-7-51:2011-01
---------------------------	---------------------------

Rectangular connectors	DIN EN 61076-3-106
------------------------	--------------------

Degrees of Protection Provided by Enclosures	IEC 60529
--	-----------

Interference proof

Immunity for industrial environments	DIN EN 61000-6-2:2006-03
--------------------------------------	--------------------------

Emission proof

Electromagnetic emission for residential, commercial and light-industrial environments	DIN EN 61000-6-3:2011-09
--	--------------------------

Classifications

ETIM 5.0	EC002597
----------	----------

Packing details

Type of packaging	10 pc(s) / box
Packaging unit - Weight (gram)	676.00 g
Packaging unit - Weight (pound)	1.49 lb
Packaging dimension (W x H x D)	247.00 x 161.00 x 58.00 mm
Packaging dimension (W x H x D)	9.72 x 6.34 x 2.28 in.

Data sheet

Page 5/6

**E-DAT Industry IP67 V1 bulkhead
+ RJ45 field jack insert Cat.6 Class E_A, T568B**

P/N

1401113312KE

EAN 4250184115038

2015-06-07

Accessories

P/N	Designation
1401018102KI	Industry IP67 V1 bulkhead protective cap



Data sheet

Page 6/6

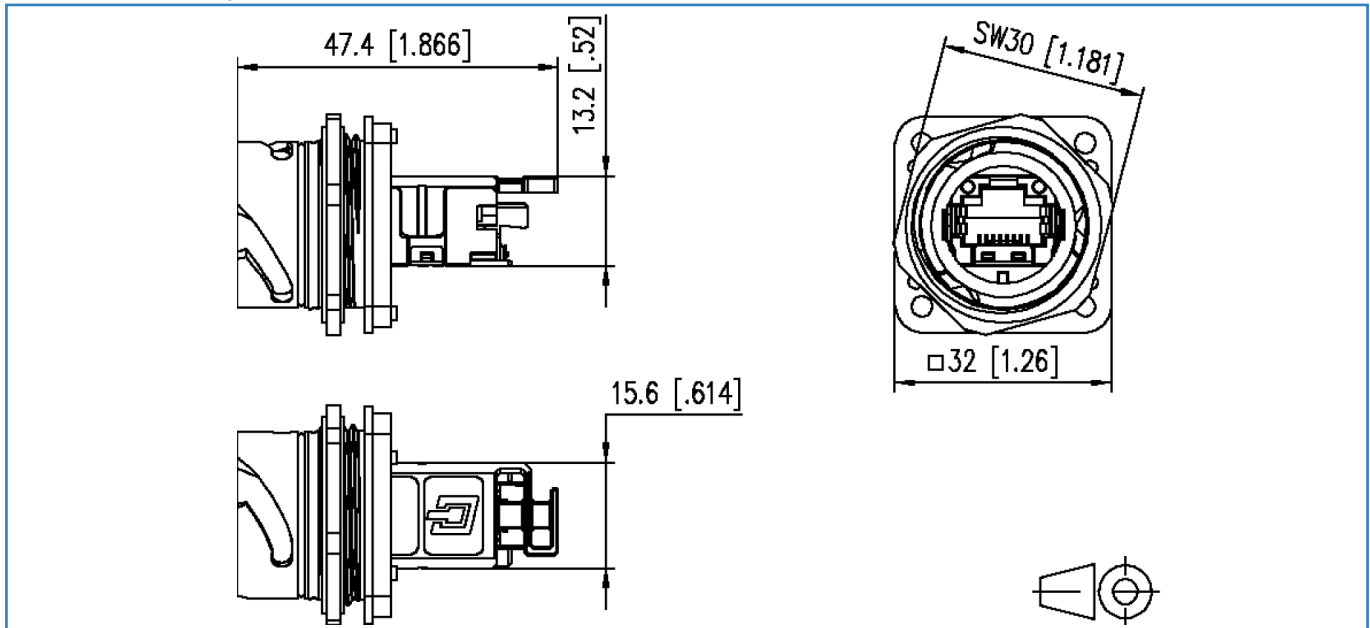
**E-DAT Industry IP67 V1 bulkhead
+ RJ45 field jack insert Cat.6 Class E_A, T568B**

P/N
1401113312KE
EAN 4250184115038

2015-06-07

Illustrations

Dimensional drawing



© 2015 METZ CONNECT - Technische Änderungen vorbehalten! Subject to modifications! Sous réserve de modifications techniques!