

Data sheet

E-DAT Industry IP67 V14 plug housing bend protected for FO unequipped

Page 1/5

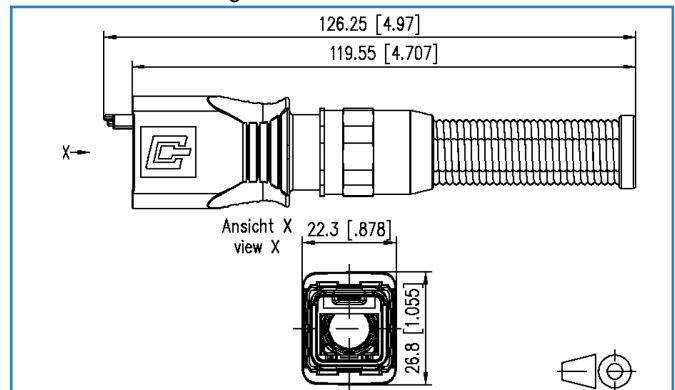
P/N
14010950F0ME
EAN 4250184123705

2015-19-06

Illustrations



Dimensional drawing



See enlarged drawings at the end of document

Product specification

- plug housing with push-pull-lock acc. to ISO/IEC 24702 and IEC 61076-3-106 var. 14
- IP67 protected housing to hold OpDAT Industry plug inserts
- increased diameter range of 10 mm for connection of cable jackets
- resistant to welding sputter
- industry-compatible metal housing with improved durability
- flammability class as per UL 94V-0
- improved resistance to chemical substances
- snap-on clip for color coding after assembly
- cable can be pushed through preassembled plug housing
- matching plug inserts OpDAT Industry 2LC plug insert, OpDAT Industry 2SC plug insert
- variants: plug housing, bend-protected plug housing

E-DAT Industry IP67 V14 plug housing bend protected for FO unequipped

P/N
14010950F0ME
EAN 4250184123705

2015-19-06

Technical Data

General Data	
Fields of application	Harsh environment
Design	Plug housings
Color	metallike
Dimensions	
Dimension (L x W x H)	126.25 x 22.30 x 26.80 mm
Dimension (L x W x H)	4.97 x 0.88 x 1.06 in.
Labeling option	on housing
Marking option	by latching clip
Connections/interfaces	
Number of ports interface 2	1
Number of ports interface 2 equipped	0
Protective housing interface 1	V14
Protective housing interface 2	V14
Cable sheath diameter (min. - max.)	
Cable sheath diameter	5.00 - 10.00 mm
Cable sheath diameter	0.20 - 0.39 in.
Module plug-in direction	straight
Cable access/outlet	180°
Mechanical characteristics	
Locking method (protective housing)	Push Pull
Materials and material properties	
Material - Protective housing	GD-Zn (zinc die-cast)
Environmental conditions	
Temperature (min. - max.)	
Temperature - Storage °C	-40 - 70 °C
Temperature - Storage °F	-40 - 158 °F
Particulate ingress	IP6X
Liquid ingress/immersion	IPX7
Resistance to welding beads	yes
Increased robustness	yes



E-DAT Industry IP67 V14 plug housing bend protected for FO unequipped

P/N
14010950F0ME
EAN 4250184123705

2015-19-06

Technical Data

Environmental conditions

Increased chemical resistance yes

Certifications

Gost Certification yes

Approvals

RoHS compliant

The product meets the following standards

Generic cabling systems

Industrial area ISO/IEC 24702

Degrees of Protection Provided by Enclosures IEC 60529

Connectors for electronic equipment

Rectangular connectors DIN EN 61076-3-117

Classifications

ETIM 5.0 EC001121

Packing details

Type of packaging 10 pc(s) / box

Packaging unit - Weight (gram) 561.00 g

Packaging unit - Weight (pound) 1.24 lb

Packaging dimension (W x H x D) 247.00 x 161.00 x 58.00 mm

Packaging dimension (W x H x D) 9.72 x 6.34 x 2.28 in.



Data sheet

Page 4/5

E-DAT Industry IP67 V14 plug housing bend protected for FO unequipped

P/N

14010950F0ME

EAN 4250184123705

2015-19-06

Accessories

P/N	Designation
1401088002KI	E-DAT Industry IP67 V14 plug protection cap
1402800820-I	OpDAT Industry 2LC MM plug insert
1402900820-I	OpDAT Industry 2LC SM plug insert
1401009001-I	Industry color coding ring V1/V4/V14 orange
1401009003-I	Industry color coding ring V1/V4/V14 light grey
1401009004-I	Industry color coding ring V1/V4/V14 white
1401009005-I	Industry color coding ring V1/V4/V14 yellow
1401009006-I	Industry color coding ring V1/V4/V14 blue
1401009007-I	Industry color coding ring V1/V4/V14 green
1402500822-I	OpDAT Industry 2SC MM plug insert
1402600822-I	OpDAT Industry 2SC SM plug insert
1402700822-I	OpDAT Industry 2SC POF plug insert



Data sheet

Page 5/5

E-DAT Industry IP67 V14 plug housing bend protected for FO unequipped

P/N

14010950F0ME

EAN 4250184123705

2015-19-06

Illustrations

Dimensional drawing

