

Data sheet

Keystone 19 inch module frame 1RU 24 port stainless steel unequipped

Page 1/5

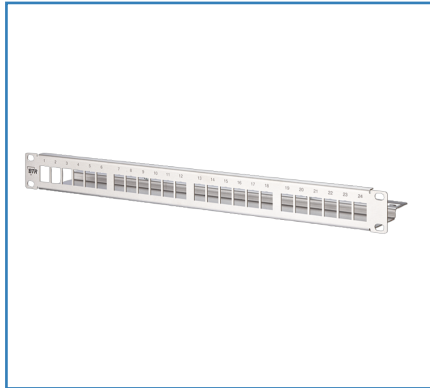
P/N

130A21-00-E

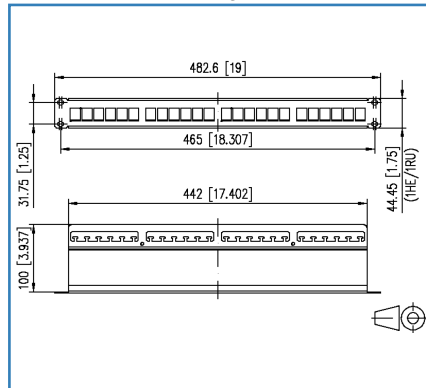
EAN 4250184106678

2015-29-06

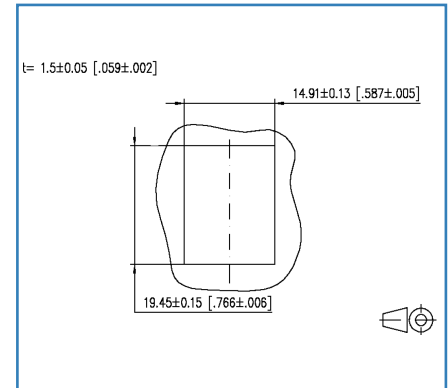
Illustrations



Dimensional drawing



Cut-out



See enlarged drawings at the end of document

Product specification

- 19 inch 1RU stainless steel module frame for 24 individual modules; Keystone design
- optional strain relief on patch panel using cable ties
- grounding bolt M6 x 10 with nut and lock washer
- incl. 30 cm grounding cable
- all fully shielded Keystone modules are connected by means of the stainless steel module frame

Data sheet

Keystone 19 inch module frame 1RU 24 port stainless steel unequipped

P/N

130A21-00-E

EAN 4250184106678

2015-29-06

Technical Data

General Data

Fields of application	Office
Design	patch panel
Color	stainless steel
Dimensions	
Dimension (L x W x H)	100.00 x 482.60 x 44.50 mm
Dimension (L x W x H)	3.94 x 19.00 x 1.75 in.
Inches	19 inches
Height unit	1 HE
Labeling option	printed numbers

Connections/interfaces

Number of ports interface 1	24
Number of equipped ports interface 1	0
Number of ports interface 2	24
Number of ports interface 2 equipped	0
Grounding wire length	0.30 m
Grounding wire length	0.98 ft
Ground connection	grounding bolt M6x10 with nut and lock washer

Mechanical characteristics

Cut-out	Keystone
---------	----------

Materials and material properties

Material - Module support	stainless steel
---------------------------	-----------------

Environmental conditions

Temperature (min. - max.)	
Temperature - Storage °C	-40 - 70 °C
Temperature - Storage °F	-40 - 158 °F
Temperature - Operating °C	-40 - 70 °C
Temperature - Operating °F	-40 - 158 °F



Data sheet

Page 3/5

Keystone 19 inch module frame 1RU 24 port stainless steel unequipped

P/N

130A21-00-E

EAN 4250184106678

2015-29-06

Technical Data

Certifications

Gost Certification yes

Approvals

RoHS compliant

Classifications

ETIM 5.0 EC001128

Packing details

Type of packaging	1 pc(s) / box
Packaging unit - Weight (gram)	780.00 g
Packaging unit - Weight (pound)	1.72 lb
Packaging dimension (W x H x D)	520.00 x 180.00 x 46.00 mm
Packaging dimension (W x H x D)	20.47 x 7.09 x 1.81 in.



Data sheet

Page 4/5

Keystone 19 inch module frame 1RU 24 port stainless steel unequipped

P/N

130A21-00-E

EAN 4250184106678

2015-29-06

Accessories

P/N	Designation
130792	Mounting kit, cage nuts M6



Data sheet

Page 5/5

Keystone 19 inch module frame 1RU 24 port stainless steel unequipped

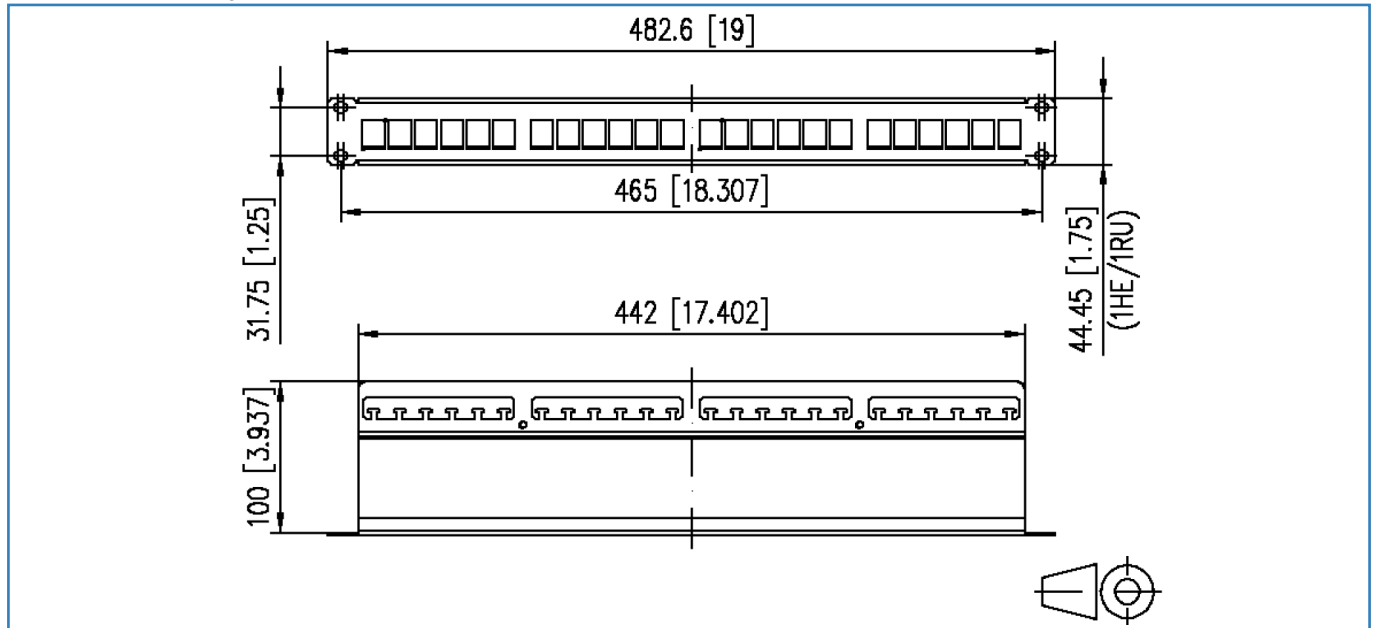
P/N
130A21-00-E

EAN 4250184106678

2015-29-06

Illustrations

Dimensional drawing



Cut-out

