

Data sheet

E-DAT modul IP44SG UP housing gray unequipped

P/N

1309461003-I

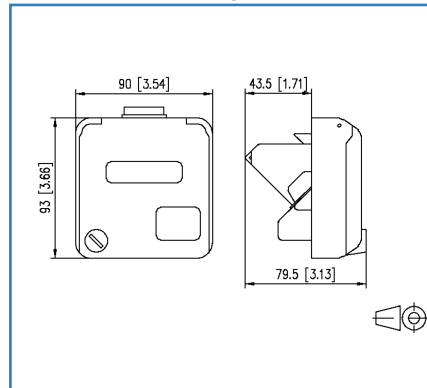
EAN 4250184117179

2015-19-06

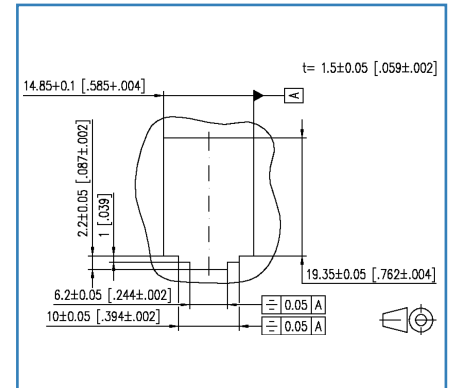
Illustrations



Dimensional drawing



Cut-out



See enlarged drawings at the end of document

Product specification

- lockable IP44 outlet, with two keys with lock with instantaneous locking action (identical locks and keys)
- cover closes completely, even when patch cables are plugged in
- UP housing for sill duct installation, or in conjunction with the flush-mounted UP installation outlet
- for two individual modules in Modul design
- ball-throw proof according to DIN 18032
- can be operated with standard patch cables
- clearly visible nomenclature panel
- variants: pure white, gray

E-DAT modul IP44SG UP housing gray unequipped

P/N

1309461003-I

EAN 4250184117179

2015-19-06

Technical Data

General Data

Fields of application	Office
Design	Wall outlet
Mounting style	flush mount
Color	gray
Dimensions	
Dimension (L x W x H)	79.50 x 90.00 x 93.00 mm
Dimension (L x W x H)	3.13 x 3.54 x 3.54 in.
Modularity	yes
Labeling option	label window with identification label

Connections/interfaces

Number of ports interface 2	2
Number of ports interface 2 equipped	0

Mechanical characteristics

Cut-out	Modul
---------	-------

Environmental conditions

Particulate ingress	IP4X when closed
Liquid ingress/immersion	IPX4 when closed

Certifications

Gost Certification	yes
--------------------	-----

Approvals

RoHS	compliant
------	-----------

The product meets the following standards

Cover plates for installation devices 1	DIN 49075-1:1989-10
Cover plates for installation devices 2	DIN 49075-2:1989-10

E-DAT modul IP44SG UP housing gray unequipped

P/N

1309461003-I

EAN 4250184117179

2015-19-06

Technical Data**Classifications**

ETIM 5.0 EC001264

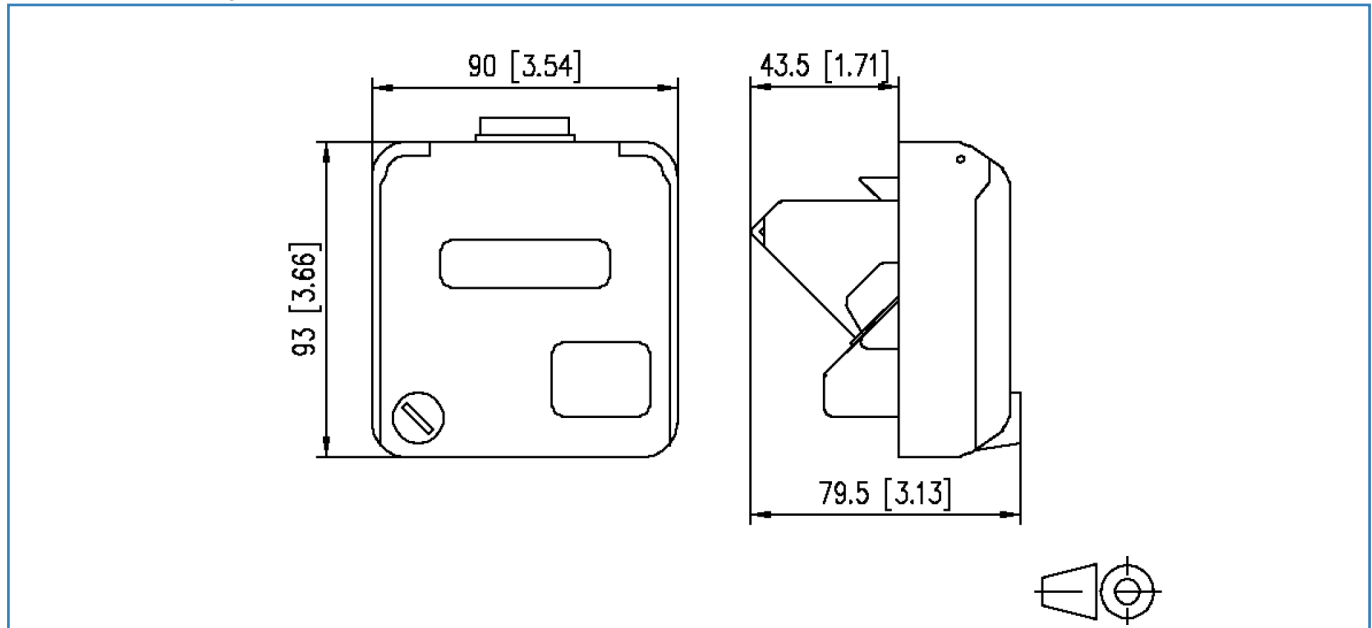
Packing details

Type of packaging	5 pc(s) / box
Packaging unit - Weight (gram)	762.00 g
Packaging unit - Weight (pound)	1.68 lb
Packaging dimension (W x H x D)	310.00 x 262.00 x 122.00 mm
Packaging dimension (W x H x D)	12.20 x 10.31 x 4.80 in.

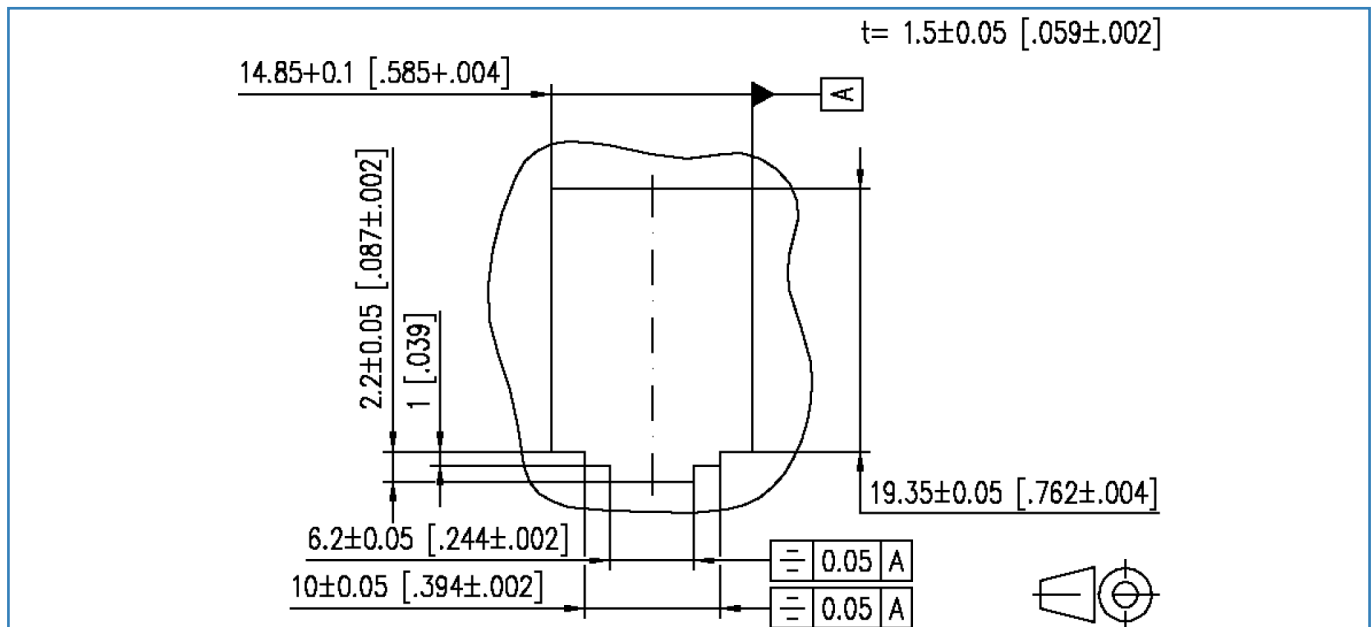


Illustrations

Dimensional drawing



Cut-out



© 2015 METZ CONNECT - Technische Änderungen vorbehalten! Subject to modifications! Sous réserve de modifications techniques!