

Data sheet**Modul wall outlet US-style 3 port 45° unequipped**

Page 1/3

P/N

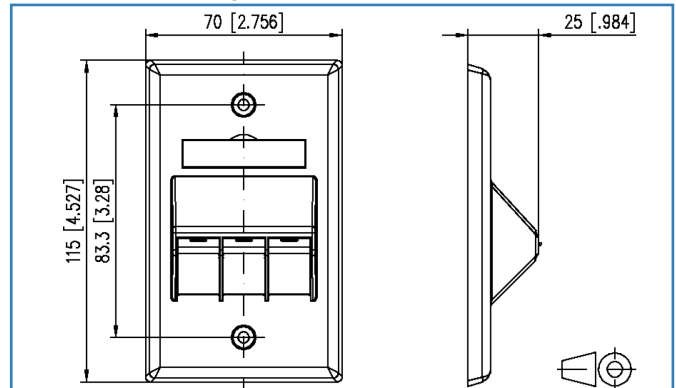
1309162202-E

EAN 4250184126003

2015-19-06

Illustrations

Dimensional drawing



See enlarged drawings at the end of document



Modul wall outlet US-style 3 port 45° unequipped

P/N

1309162202-E

EAN 4250184126003

2015-19-06

Technical Data

General Data

Fields of application	Structured building cabling, Office
Design	Wall outlet
Mounting style	flush mount
Color	pure white
Dimensions	
Dimension (L x W x H)	70.00 x 25.00 x 115.00 mm
Dimension (L x W x H)	2.76 x 0.98 x 4.53 in.
Labeling option	label window with identification label

Connections/interfaces

Number of ports interface 2	3
Module plug-in direction	45° downwards

Materials and material properties

Material - Cover part(s)	ABS
Material - Label window	ABS, transparent
Material - Dust protection	ABS

Packing details

Type of packaging	1 pc(s) / plastic bag
Packaging unit - Weight (gram)	34.00 g
Packaging unit - Weight (pound)	0.07 lb



Modul wall outlet US-style 3 port 45° unequipped

P/N

1309162202-E

EAN 4250184126003

2015-19-06

Illustrations

Dimensional drawing

