

# Data sheet

## COAX modul F jack / F jack

Page 1/4

P/N

130898-01-I

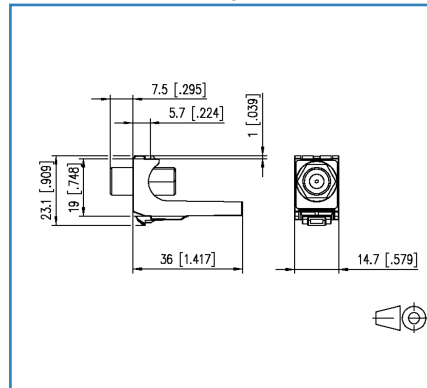
EAN 4250184105305

2015-06-07

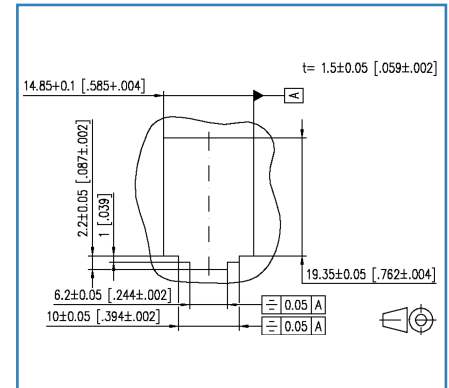
### Illustrations



Dimensional drawing



Cut-out



See enlarged drawings at the end of document

### Product specification

- Coax connector with adapter in module design, suitable for module applications
- front connection: for F plug
- rear connection: for F plug
- 75-Ohm throughput coupling
- without terminator and coupler elements

**Data sheet**  
**COAX modul F jack / F jack**

Page 2/4

P/N  
130898-01-I  
EAN 4250184105305  
2015-06-07

**Technical Data**

**General Data**

Design	Jack
Shielding	shielded
Transmission technology	Copper
Color	light gray
Dimensions	
Dimension (L x W x H)	36.00 x 14.70 x 23.10 mm
Dimension (L x W x H)	1.42 x 0.58 x 0.91 in.
Modularity	yes

**Connections/interfaces**

Connector technology interface 1	KOAX F
Connector technology interface 2	KOAX F
Number of ports interface 1	1
Number of ports interface 2	1
Number of equipped ports interface 1	1
Number of ports interface 2 equipped	1

**Mechanical characteristics**

Cut-out	Modul
---------	-------

**Environmental conditions**

Electromagnetic measurement	E <sub>1</sub>
-----------------------------	----------------

**Certifications**

Gost Certification	yes
--------------------	-----

**Approvals**

RoHS	compliant
------	-----------

**Classifications**

ETIM 5.0	EC001135
----------	----------

## Technical Data

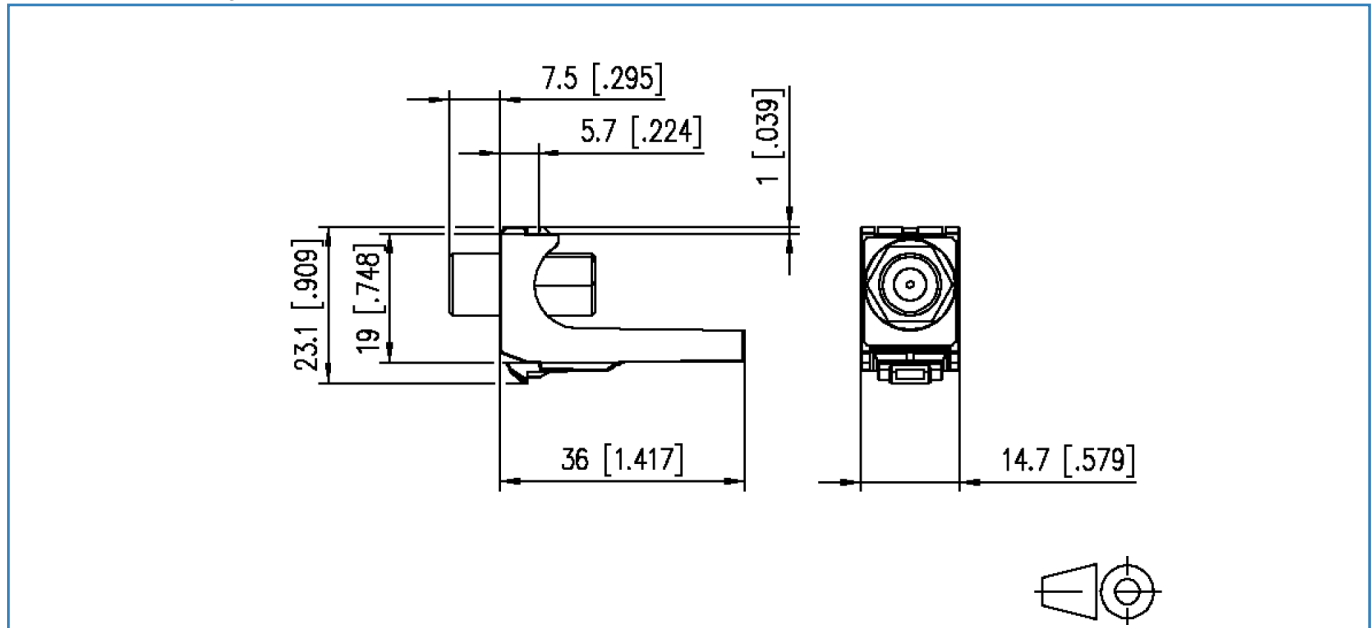
### Packing details

Type of packaging	10 pc(s) / box
Packaging unit - Weight (gram)	170.00 g
Packaging unit - Weight (pound)	0.37 lb
Packaging dimension (W x H x D)	247.00 x 161.00 x 58.00 mm
Packaging dimension (W x H x D)	9.72 x 6.34 x 2.28 in.

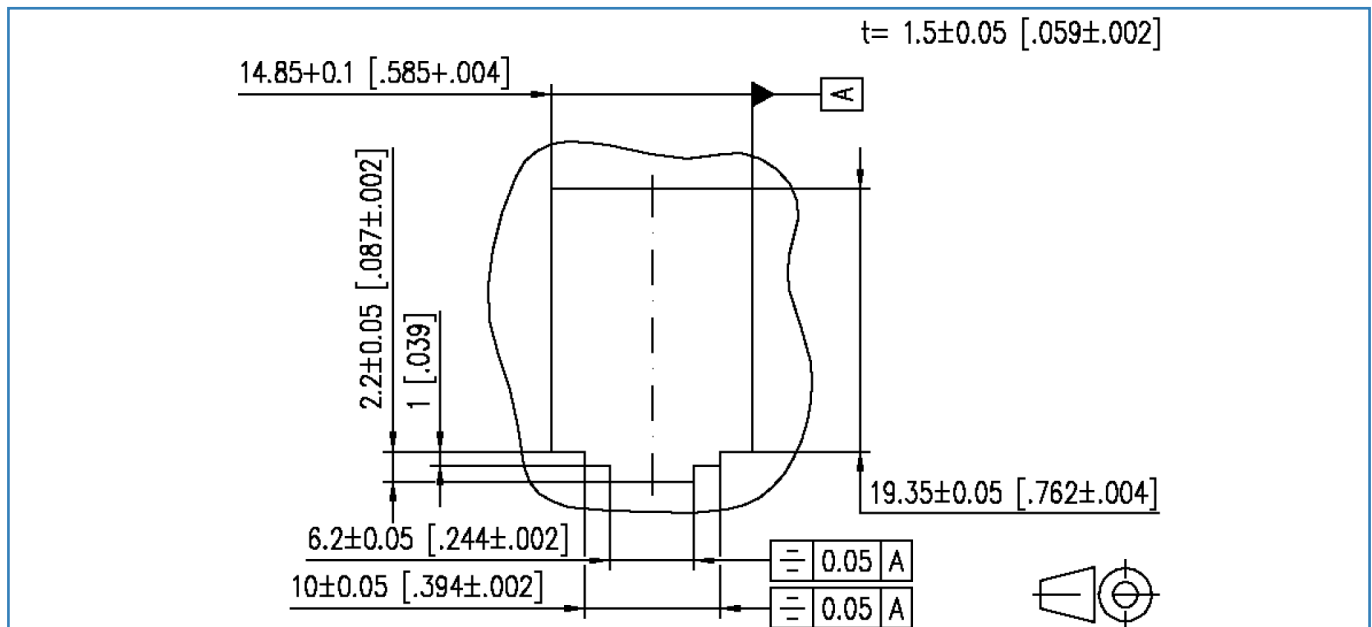


Illustrations

Dimensional drawing



Cut-out



© 2015 METZ CONNECT - Technische Änderungen vorbehalten! Subject to modifications! Sous réserve de modifications techniques!