

Data sheet

UAE 50x8 Cat.3 patch panel

Page 1/5

P/N

130886-E

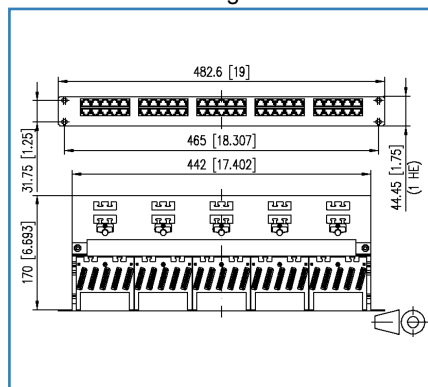
EAN 4250184105084

2015-08-07

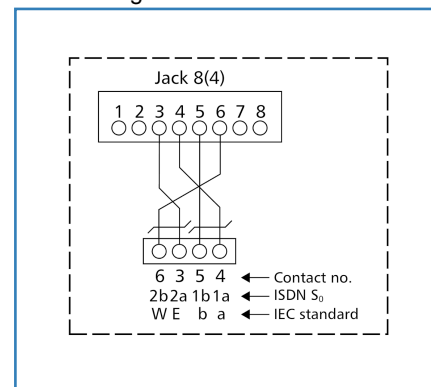
Illustrations



Dimensional drawing



Circuit diagram



See enlarged drawings at the end of document

Product specification

- 19 inch 1RU Cat.3 patch panel with 50 RJ45 jacks 8(4)
- 19 inch module frame made of silver anodized aluminum
- one to four-pair connection lines connected to LSA-PLUS® insulation displacement connectors (AWG 22-26)
- suitable cable types for 50 x 8(4): 10 x 10 DC, 4 x 50 DC, 2 x 50 DC (DC=double conductor)
- pin assignment to ISO/IEC 11801/EN 50173-1
- wire pairs can be led to the terminal without untwisting the pair
- strain relief by means of cable ties (not included in the delivery) on rear cable support
- cable duct to lay double conductors clearly arranged
- 5 clamping sheets for drain wire, grounding bolt M6



Data sheet
UAE 50x8 Cat.3 patch panel

Page 2/5

P/N
130886-E
EAN 4250184105084

2015-08-07

Technical Data

General Data

Design	patch panel
Mounting style	1RU
Transmission technology	Copper
Color	anodized alu.
Dimensions	
Dimension (L x W x H)	170.00 x 482.60 x 44.45 mm
Dimension (L x W x H)	6.69 x 19.00 x 1.75 in.
Inches	19 inches
Height unit	1RU
Labeling option	printed numbers

Transmission characteristics

Category (ISO)	3
Class (ISO/IEC)	C
Category (TIA)	3

Connections/interfaces

Connector technology interface 1	LSA terminal block
Connector technology interface 2	RJ45-jack
Number of ports interface 2	50
Number of ports interface 2 equipped	50
Number of positions/contacts interface 1	50 x 4P/4C
Number of positions/contacts interface 2	50 x 8P/4C
Termination data, solid wire (min. - max.)	
Conductor cross section, solid wire	AWG 26 - 22
Conductor cross section, solid wire	0.128 - 0.324 mm ²
Conductor diameter, solid wire (bare copper)	0.409 - 0.643 mm
Conductor diameter, solid wire (bare copper)	0.016 - 0.025 in.
Core diameter (min. - max.)	
Core diameter (conductor with insulation)	0.70 - 1.40 mm
Core diameter (conductor with insulation)	0.03 - 0.06 in.
Shield connection	flexible contact spring

Technical Data

Electrical characteristics

Current carrying capacity	max. 1 A
Rated voltage	max. 50 V
Contact resistance	max. 20 mOhm
Through resistance	max. 200 mOhm
Insulation resistance	min. 500 MOhm
Dielectric strength conductor-conductor (secondary)	min. 1000 V DC

Mechanical characteristics

Insertion and withdrawal force	max. 20 N
Life - Number of mating cycles	min. 750
Position/mounting of latch - standard installation position	top and bottom

Materials and material properties

Material - Jack contact	CuSn (tin bronze)
Material - Jack contact finish	Ni + Au (nickel-gold)
Material - Module support	Al (Aluminium)
Material - Module support finish	silver anodized

Environmental conditions

Temperature (min. - max.)	
Temperature - Storage °C	-40 - 70 °C
Temperature - Storage °F	-40 - 158 °F
Temperature - Operating °C	-40 - 70 °C
Temperature - Operating °F	-40 - 158 °F

Certifications

Gost Certification	yes
--------------------	-----

Approvals

CE	compliant
RoHS	compliant



Technical Data

The product meets the following standards

Generic cabling systems

General requirements

ISO/IEC 11801 Ed.2.2: 2011-06 | DIN EN 50173-1: 2011-09

Classifications

ETIM 5.0

EC001128

Packing details

Type of packaging	1 pc(s) / box
Packaging unit - Weight (gram)	1640.00 g
Packaging unit - Weight (pound)	3.62 lb
Packaging dimension (W x H x D)	520.00 x 180.00 x 46.00 mm
Packaging dimension (W x H x D)	20.47 x 7.09 x 1.81 in.



Illustrations

Dimensional drawing

