

Data sheet

UAE 6x8(8)-P module 3RU silver anodized aluminum

P/N
130865-12-E

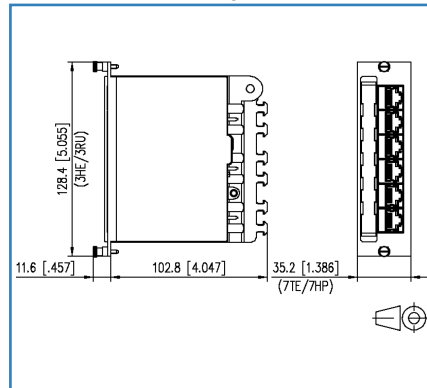
EAN 4250184113379

2015-08-07

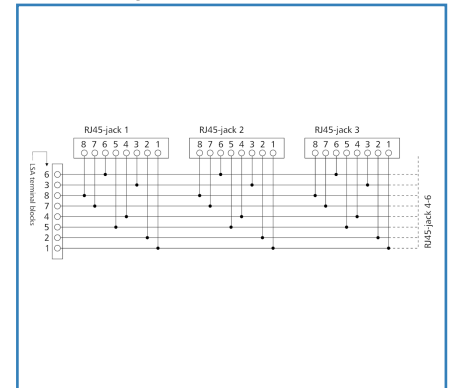
Illustrations



Dimensional drawing



Circuit diagram



See enlarged drawings at the end of document

Product specification

- Connection of an installation line for parallel distribution to 6 ports for installation in 3RU module frame
- 3RU 7HP Cat.3 module with 6 RJ45 jacks 8(8)
- made of silver anodized aluminum
- one to four-pair connection lines connected to LSA-PLUS® insulation displacement connectors (AWG 22-26)
- suitable for diameters of 0.4 to 0.06 mm
- wire pairs can be led to the terminal without untwisting the pair
- label window for enclosed identification labels
- strain relief and separate captive shield connection
- grounding bolt M6 x 10 with nut and lock washer



Technical Data

General Data

Design	patch panel
Mounting style	3RU
Transmission technology	Copper
Color	silver anodized
Dimensions	
Dimension (L x W x H)	114.40 x 128.40 x 35.20 mm
Dimension (L x W x H)	4.50 x 5.06 x 1.39 in.
Height unit	3RU
Horizontal pitch	7Units
Labeling option	label window with identification label

Transmission characteristics

Category (ISO)	3
Category (TIA)	3

Connections/interfaces

Connector technology interface 1	LSA terminal block
Connector technology interface 2	RJ45-jack
Number of ports interface 2	6
Number of ports interface 2 equipped	6
Number of positions/contacts interface 2	6 x 8P/4C
Termination data, solid wire (min. - max.)	
Conductor cross section, solid wire	AWG 26 - 22
Conductor cross section, solid wire	0.128 - 0.324 mm ²
Conductor diameter, solid wire (bare copper)	0.409 - 0.643 mm
Conductor diameter, solid wire (bare copper)	0.016 - 0.025 in.
Ground connection	grounding bolt M6x10 with nut and lock washer

Mechanical characteristics

Life - Number of mating cycles	min. 750
--------------------------------	----------



UAE 6x8(8)-P module 3RU silver anodized aluminum

P/N

130865-12-E

EAN 4250184113379

2015-08-07

Technical Data

Materials and material properties

Material - Jack housing	polyester, glass fiber reinforced
Material - Jack contact	CuSn (tin bronze)
Material - Jack contact finish	Ni + Au (nickel-gold)
Material - Terminal block contact	CuZn (brass)
Material - Terminal block contact finish	Sn (tin)
Material - Module support	Al (Aluminium)
Material - Module support finish	silver anodized

Approvals

CE	compliant
RoHS	compliant

Classifications

ETIM 5.0	EC001128
----------	----------

Packing details

Type of packaging	1 pc(s) / box
Packaging unit - Weight (gram)	430.00 g
Packaging unit - Weight (pound)	0.95 lb
Packaging dimension (W x H x D)	139.00 x 115.00 x 37.00 mm
Packaging dimension (W x H x D)	5.47 x 4.53 x 1.46 in.



Data sheet

Page 4/5

UAE 6x8(8)-P module 3RU silver anodized aluminum

P/N

130865-12-E

EAN 4250184113379

2015-08-07

Accessories

P/N	Designation
899789-01	Label sheet for E-DAT C6 and E-DAT design patch panels



Illustrations

Dimensional drawing

