

Data sheet

E-DAT C6 6 port 3RU 7HP LSA modular

Page 1/6

P/N
130857-E

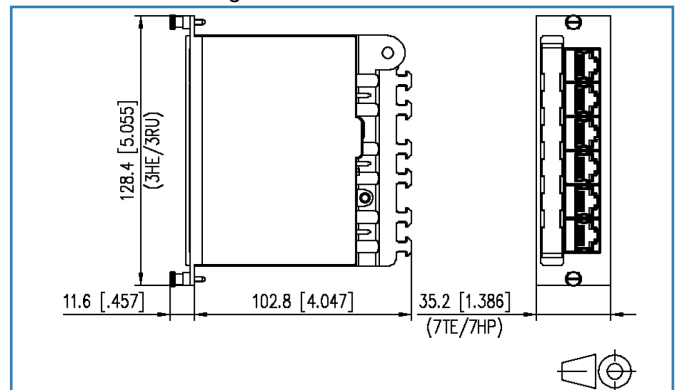
EAN 4250184116646

2015-08-07

Illustrations



Dimensional drawing



See enlarged drawings at the end of document

Product specification

- 3RU/7HP 6-fold module housing made of zinc die-casting, mounting in 3RU module frame
- certified to GHMT Cat.6 12C-de-embedded
- compliance with class E_A to ISO/IEC 11801 Ed.2.2:2011-06, DIN EN 50173-1:2011-09
- tested: Link to 500 MHz
- for 10 GBit Ethernet (IEEE 802.3an)
- suitable for Power over Ethernet (PoE, PoE plus and UPoE)
- wire pairs can be led to the LSA terminal without untwisting the pair
- connection of 2 to 4-pair data lines to LSA insulation displacement connectors (AWG 22-24) conductor colors marking to TIA/EIA 568A
- 3RU module frame for mounting in surface-mounted housing, top hat rail adapter or 3RU module frame
- strain relief with captive cable clamp, Ø smaller then 8 mm (for cable Ø bigger then 7 mm see accessory)
- optional strain relief using cable ties
- label window for enclosed identification labels
- captive contact clamp for cable shield
- grounding bolt M6x10 with nut and lock washer

Data sheet
E-DAT C6 6 port 3RU 7HP LSA modular

Page 2/6

P/N
130857-E
EAN 4250184116646

2015-08-07

Technical Data

General Data

Fields of application	Office
Design	patch panel
Mounting style	3RU/7HP
Shielding	shielded
Transmission technology	Copper
Wiring	T568A
Color	anodized alu.
Dimensions	
Dimension (L x W x H)	114.40 x 128.40 x 35.20 mm
Dimension (L x W x H)	4.50 x 5.06 x 1.39 in.
Height unit	3RU
Horizontal pitch	7Units
Labeling option	label window with identification label

Transmission characteristics

Category (ISO)	6
Class (ISO/IEC)	E _A
Category (TIA)	6
PoE	IEEE 802.3af
PoE plus	IEEE 802.3at
UPoE	yes
Transmission rate up to 10 GBit	IEEE 802.3an

Connections/interfaces

Connector technology interface 1	LSA terminal block
Connector technology interface 2	RJ45-jack
Number of ports interface 2	6
Number of ports interface 2 equipped	6
Number of positions/contacts interface 1	6 x 8
Number of positions/contacts interface 2	6 x 8P/8C
Ground connection	grounding bolt M6x10 with nut and lock washer
Shield connection	flexible contact spring

Data sheet
E-DAT C6 6 port 3RU 7HP LSA modular

Page 3/6

P/N
130857-E
EAN 4250184116646

2015-08-07

Technical Data

Electrical characteristics

Current carrying capacity	max. 1 A
Rated voltage	max. 50 V
Contact resistance	max. 20 mOhm
Through resistance	max. 200 mOhm
Insulation resistance	min. 500 MOhm
Dielectric strength conductor-conductor (secondary)	max. 1000 V DC

Mechanical characteristics

Insertion and withdrawal force	max. 20 N
Life - Number of mating cycles	min. 750

Materials and material properties

Material - Terminal block housing	PBT (polybutylene terephthalate)
Material - Jack contact	CuSn (tin bronze)
Material - Jack contact finish	Ni + Au (nickel-gold)
Material - Terminal block contact	CuZn (brass)
Material - Terminal block contact finish	Sn (tin)
Material - Cover	GD-Zn (zinc die-cast)
Material - Module support	GD-Zn (zinc die-cast)

Environmental conditions

Temperature (min. - max.)	
Temperature - Storage °C	-40 - 70 °C
Temperature - Storage °F	-40 - 158 °F
Temperature - Operating °C	-40 - 70 °C
Temperature - Operating °F	-40 - 158 °F
Electromagnetic measurement	E ₂

Certifications

GHMT PVP	yes
Gost Certification	yes

Data sheet
E-DAT C6 6 port 3RU 7HP LSA modular

Page 4/6

P/N
130857-E
EAN 4250184116646

2015-08-07

Technical Data

Approvals

CE	compliant
RoHS	compliant

The product meets the following standards

Generic cabling systems	
General requirements	ISO/IEC 11801 Ed.2.2: 2011-06 DIN EN 50173-1: 2011-09 TIA/EIA 568-C.2 (2009-08)
Connectors for electronic equipment	
Free and fixed connectors	DIN EN 60603-7-51:2011-01

Classifications

ETIM 5.0	EC001128
----------	----------

Packing details

Type of packaging	1 pc(s) / box
Packaging unit - Weight (gram)	535.00 g
Packaging unit - Weight (pound)	1.18 lb
Packaging dimension (W x H x D)	139.00 x 115.00 x 37.00 mm
Packaging dimension (W x H x D)	5.47 x 4.53 x 1.46 in.

Data sheet
E-DAT C6 6 port 3RU 7HP LSA modular

Page 5/6

P/N
130857-E

EAN 4250184116646

2015-08-07

Accessories

P/N	Designation
899789-01	Label sheet for E-DAT C6 and E-DAT design patch panels



Data sheet
E-DAT C6 6 port 3RU 7HP LSA modular

Page 6/6

P/N

130857-E

EAN 4250184116646

2015-08-07

Illustrations

Dimensional drawing

