

Data sheet

KAPRI plus test box 1

Page 1/4

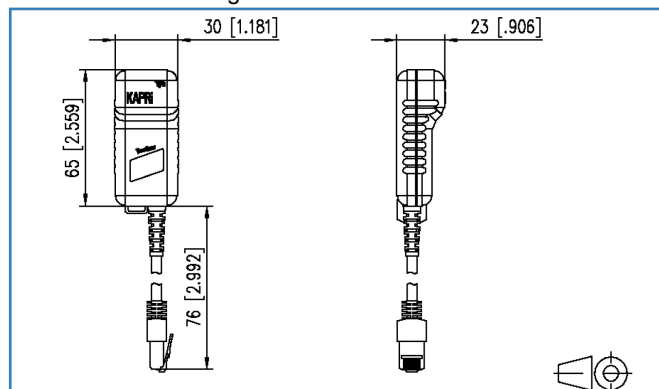
P/N
130673-01-E

2015-12-03

Illustrations



Dimensional drawing



See enlarged drawings at the end of document

Product specification

- replacement test box 1 (included in KAPRI plus main terminal)
- test box set 1 with test boxes 2, 3, 4, 5
- test box set 2 with test boxes 6, 7, 8, 9
- saves time needed for the way to the connections
- variants: test box 1, test box set 1, test box set 2

Data sheet
KAPRI plus test box 1

Page 2/4

P/N
130673-01-E

2015-12-03

Technical Data

General Data

Design	test box
Shielding	Shielded
Transmission technology	Copper
Color	light gray
Dimensions	
Dimension - Interface 1 (L x W x H)	30.00 x 23.00 x 65.00 mm
Dimension - Interface 1 (L x W x H)	1.18 x 0.91 x 2.56 in.

Connections/interfaces

Connector technology interface 1	RJ45 plug
Connector technology interface 2	RJ45-jack
Number of ports interface 1	1
Number of ports interface 2	1
Number of equipped ports interface 1	1
Number of ports interface 2 equipped	1
Number of positions/contacts interface 1	8P/8C
Number of positions/contacts interface 2	8P/8C
Connection cable length	0.10 m
Connection cable length	0.33 ft

Certifications

Gost Certification	yes
--------------------	-----

Approvals

RoHS	compliant
------	-----------

Classifications

ETIM 5.0	EC000305
----------	----------

Packing details

Type of packaging	1 pc(s) / plastic bag
Packaging unit - Weight (gram)	40.00 g
Packaging unit - Weight (pound)	0.09 lb

Data sheet
KAPRI plus test box 1

Page 3/4

P/N
130673-01-E

2015-12-03

Accessories

P/N	Designation
130676-E	KAPRI plus plastic case unequipped



Data sheet
KAPRI plus test box 1

Page 4/4

P/N
130673-01-E

2015-12-03

Illustrations

Dimensional drawing

