

Data sheet

Cable sharing Adapter pnp 3

Page 1/4

P/N

130548-03-E

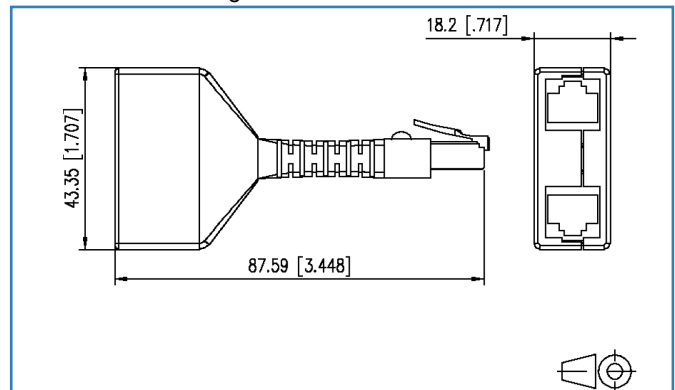
EAN 4250184102113

2015-06-07

Illustrations



Dimensional drawing



See enlarged drawings at the end of document

Product specification

- cable sharing adapter for simultaneous operation of two 4-wire services, here: 2 x Ethernet, via an 8-wire installation line
- use in pairs: one adapter on wall outlet, one adapter on distributor
- shielded adapter with class E transmission characteristics in Link acc. to IEC 11801 Ed.2.2:2011-06 and DIN EN 50173-1:2011-09
- 2 x Ethernet up to 100 MBit E / Fast Ethernet
- slim shape allows plugging next to each other
- short, flexible connection
- delivered as set of two pieces

Data sheet
Cable sharing Adapter pnp 3

Page 2/4

P/N
130548-03-E
EAN 4250184102113

2015-06-07

Technical Data

General Data

Design	Adapter
Shielding	shielded
Transmission technology	Copper
Wiring	Ethernet - Ethernet
Color	silver
Dimensions	
Dimension (L x W x H)	87.59 x 18.2 x 43.35 mm
Dimension (L x W x H)	3.45 x 0.72 x 1.71 in.
Labeling option	on housing

Transmission characteristics

Class (ISO/IEC)	E
Transmission rate up to 100 MBit (Fast Ethernet)	IEEE 802.3u

Connections/interfaces

Connector technology interface 1	RJ45 plug
Connector technology interface 2	2 x RJ45-jack
Number of ports interface 2	2
Number of ports interface 2 equipped	2
Number of positions/contacts interface 1	8P/8C
Number of positions/contacts interface 2	2 x 8P/4C

Mechanical characteristics

Life - Number of mating cycles	min. 750
Position/mounting of latch - standard installation position	top and bottom

Environmental conditions

Electromagnetic measurement	E ₂
-----------------------------	----------------

Certifications

Gost Certification	yes
--------------------	-----

Data sheet
Cable sharing Adapter pnp 3

Page 3/4

P/N
130548-03-E
EAN 4250184102113
2015-06-07

Technical Data

Approvals

RoHS compliant

The product meets the following standards

Generic cabling systems

General requirements ISO/IEC 11801 Ed.2.2: 2011-06 | DIN EN 50173-1: 2011-09
TIA/EIA 568-C

Connectors for electronic equipment

Round plug connectors DIN EN 61076-2-109:2010-08

Classifications

ETIM 5.0 EC001671

Packing details

Type of packaging	1 pc(s) / box
Packaging unit - Weight (gram)	85.00 g
Packaging unit - Weight (pound)	0.19 lb
Packaging dimension (W x H x D)	42.00 x 47.00 x 92.00 mm
Packaging dimension (W x H x D)	1.65 x 1.85 x 3.62 in.



**Data sheet
Cable sharing Adapter pnp 3**

Page 4/4

**P/N
130548-03-E
EAN 4250184102113**

2015-06-07

Illustrations

Dimensional drawing

