

# Data sheet

## Cable sharing Adapter pnp 1

Page 1/4

P/N

130548-01-E

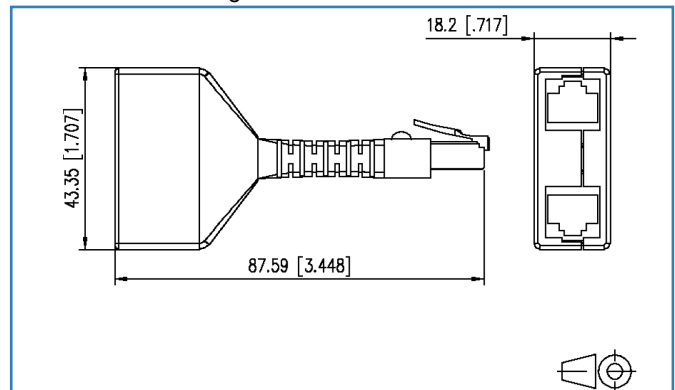
EAN 4250184102090

2015-06-07

### Illustrations



Dimensional drawing



See enlarged drawings at the end of document

### Product specification

- cable sharing adapter for simultaneous operation of two 4-wire services, for example: 2 phones (ISDN), via 8-wire installation line
- use in pairs: one adapter on wall outlet, one adapter on distributor
- shielded adapter with class E transmission characteristics in Link acc. to IEC 11801 Ed.2.2:2011-06 and DIN EN 50173-1:2011-09
- slim shape allows plugging next to each other
- short, flexible connection
- delivered as set of two pieces

**Data sheet**  
**Cable sharing Adapter pnp 1**

Page 2/4

P/N  
**130548-01-E**  
EAN 4250184102090

2015-06-07

**Technical Data**

**General Data**

Design	Adapter
Shielding	shielded
Transmission technology	Copper
Wiring	Phone (ISDN) - Phone (ISDN)
Color	silver
Dimensions	
Dimension (L x W x H)	87.59 x 18.20 x 43.35 mm
Dimension (L x W x H)	3.45 x 0.72 x 1.71 in.
Labeling option	on housing

**Transmission characteristics**

Class (ISO/IEC)	E
-----------------	---

**Connections/interfaces**

Connector technology interface 1	RJ45 plug
Connector technology interface 2	2 x RJ45-jack
Number of ports interface 2	2
Number of ports interface 2 equipped	2
Number of positions/contacts interface 1	8P/8C
Number of positions/contacts interface 2	2x8P/4C

**Mechanical characteristics**

Life - Number of mating cycles	min. 750
Position/mounting of latch - standard installation position	top and bottom

**Environmental conditions**

Electromagnetic measurement	E <sub>2</sub>
-----------------------------	----------------

**Certifications**

Gost Certification	yes
--------------------	-----



**Data sheet**  
**Cable sharing Adapter pnp 1**

Page 3/4

**P/N**  
**130548-01-E**  
**EAN 4250184102090**

2015-06-07

**Technical Data**

**Approvals**

RoHS compliant

**The product meets the following standards**

Generic cabling systems	
General requirements	ISO/IEC 11801 Ed.2.2: 2011-06   DIN EN 50173-1: 2011-09 TIA/EIA 568-C
Connectors for electronic equipment	
Round plug connectors	DIN EN 61076-2-109:2010-08

**Classifications**

ETIM 5.0 EC001671

**Packing details**

Type of packaging	1 pc(s) / box
Packaging unit - Weight (gram)	85.00 g
Packaging unit - Weight (pound)	0.19 lb
Packaging dimension (W x H x D)	42.00 x 47.00 x 92.00 mm
Packaging dimension (W x H x D)	1.65 x 1.85 x 3.62 in.

© 2015 METZ CONNECT - Technische Änderungen vorbehalten! Subject to modifications! Sous réserve de modifications techniques!

Data sheet

**Cable sharing Adapter pnp 1**

Page 4/4

P/N

130548-01-E

EAN 4250184102090

2015-06-07

**Illustrations**

Dimensional drawing

