

Data sheet

BMT-SI4

BACnet module with S0 inputs

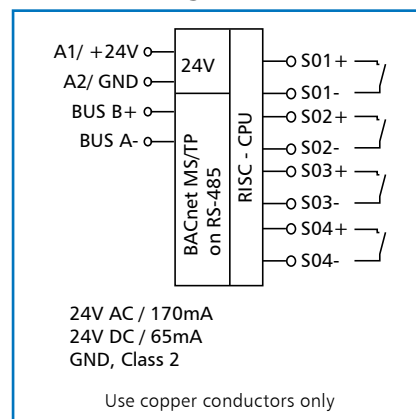
Part number
11088913

2015-03-17

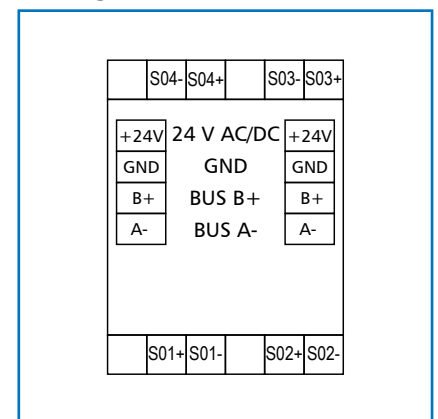
Illustrations



Principle diagram



Wiring



Product description

The BACnet MS/TP module with 4 S0 inputs to DIN EN 62053-31 class A was developed for decentralized switching tasks.

It is suitable for counting S0 counter pulses. This allows very good integration of the module into an energy controlling system. In case of a power failure, the last counter readings are saved.

The inputs can be scanned by means of standard objects via a BACnet client. The module is addressed and the baud rate is set by means of two address switches on the front.

Suitable for decentralized mounting on DIN TH35 rail according to IEC 60715 in electrical distribution cabinets.

Data sheet
BMT-SI4
BACnet module with S0 inputs

Page 2/4
Part number
11088913
 2015-03-17

Technical data

Approvals	
C-UL Certification	Open Energy Management Equipment 34TZ
BACnet interface	
Protocol	BACnet MS/TP
Address range	00 to F9
Transmission rate	9600 to 115200 Bd, factory setting 9600 Bd
Cabling	RS485 two wire bus with potential equalization in bus or line topology terminate with 120 Ohm
Supply	
Operating voltage range	20 to 28 V AC/DC (SELV)
Current consumption	170 mA (AC) / 65 mA (DC)
Relative duty cycle	100 %
Inputs	
S0 inputs according to DIN EN 62053-31 Classe A	4
Housing	
Dimensions WxHxD	1.378 x 2.728 x 2.362 in. (35 x 69.3 x 60 mm)
Weight	83 g
Mounting position	any
Mounting	on TH35 rail per IEC 60715
Side-by-side mounting	Without space The maximum quantity of BACnet modules connected side-by-side is limited to 15 or to a maximum power consumption of 2 Amps (AC or DC) per connection to the power supply. For any similar block of additional modules a separate connection to the power supply is necessary.
Material	
Housing	polyamide 6.6 V0
Terminal blocks	polyamide 6.6 V0
Cover	polycarbonate
Type of protection (IEC 60529)	
Housing	IP40
Terminal blocks	IP20

Data sheet

BMT-SI4

BACnet module with S0 inputs

Technical data

Terminal blocks

Supply and bus	
Terminal block	4-pole
Solid wire	max. AWG 16 (1.5 mm ²)
Stranded wire	max. AWG 18 (1.0 mm ²)
Wire diameter	0.3 mm to max. 1.4 mm
Module connection, S0 inputs	
Solid wire	max. AWG 12 (4 mm ²)
Stranded wire	max. AWG 14 (2.5 mm ²)
Wire diameter	0.3 mm to max. 2.7 mm
Protective circuitry	Polarity reversal protection of operating voltage Polarity reversal protection of supply and bus


Temperature range

Operation	23 °F to 131 °F (-5 °C to +55 °C)
Storage	-4 °F to +158 °F (-20 °C to +70 °C)

Display

Operating and bus activity	green LED
Error indication	red LED
Status of the inputs	yellow LEDs

Additional documents

Software description, mounting note, certificates	All additional documents are available for download at www.metz-connect.com	
--	--	---

Data sheet
BMT-SI4
BACnet module with S0 inputs

Page 4/4
 Part number
11088913
 2015-03-17

Dimensional drawing

