

Data sheet

BMT-AOP4

BACnet module with analog outputs

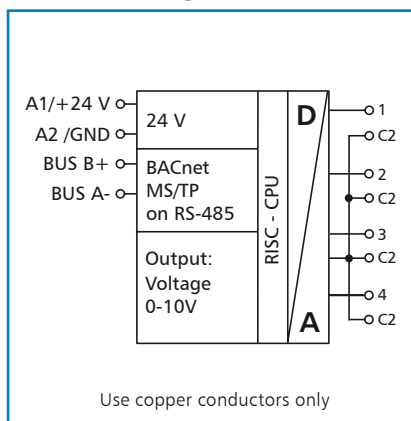
Part number
1108871302

2014-05-22

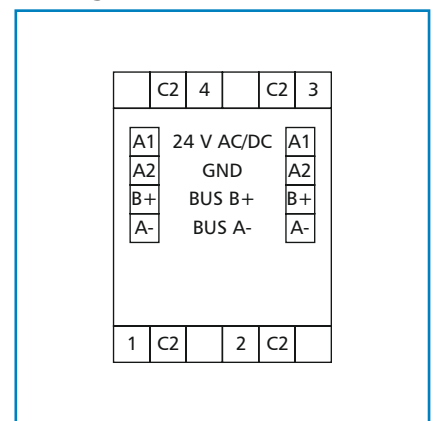
Illustrations



Principle diagram



Wiring



Product description

The BACnet MS/TP module with 4 analog outputs was developed for decentralized switching tasks. It is suitable as encoder for control variables, for example for electrical vent and mixing valves, valve positions, etc. The outputs can be output by means of standard objects via a BACnet client. Each output can be set for automatic or manual operation by means of 4 potentiometers at the front.

The module is addressed and the baud rate is set by means of two address switches on the front. Suitable for decentralized mounting on DIN TH35 rail according to IEC 60715 in electrical distribution cabinets.

Data sheet
BMT-AOP4
BACnet module with analog outputs

Page 2/4
Part number
1108871302
 2014-05-22

Technical data

Approvals	
C-UL Certification	Open Energy Management Equipment 34TZ
BACnet interface	
Protocol	BACnet MS/TP
Address range	00 to F9
Transmission rate	9600 to 115200 Bd, factory setting 9600 Bd
Cabling	RS485 two wire bus with potential equalization in bus or line topology terminate with 120 Ohm
Supply	
Operating voltage range	20 to 28 V AC/DC (SELV)
Current consumption	50 mA (AC) / 20 mA (DC)
Relative duty cycle	100 %
Outputs	
Analog outputs	4
Voltage output	4x 0 to 10 V DC
Output current	5 mA to 10 V DC
Resolution	10 mV / digit
Housing	
Dimensions WxHxD	1.378 x 2.728 x 2.362 in. (35 x 69.3 x 60 mm)
Depth including potentiometers	2.520 in. (64 mm)
Weight	72 g
Mounting position	any
Mounting	on TH35 rail per IEC 60715
Side-by-side mounting	Without space The maximum quantity of BACnet modules connected side-by-side is limited to 15 or to a maximum power consumption of 2 Amps (AC or DC) per connection to the power supply. For any similar block of additional modules a separate connection to the power supply is necessary.
Material	
Housing	polyamide 6.6 V0
Terminal blocks	polyamide 6.6 V0
Cover	polycarbonate
Type of protection (IEC 60529)	
Housing	IP40
Terminal blocks	IP20

Data sheet
BMT-AOP4
BACnet module with analog outputs

Page 3/4
Part number
1108871302
 2014-05-22

Technical data

Terminal blocks	
Supply and bus Terminal block Solid wire Stranded wire Wire diameter	4-pole max. AWG 16 (1.5 mm ²) max. AWG 18 (1.0 mm ²) 0.3 mm to max. 1.4 mm
Module connection, analog outputs Solid wire Stranded wire Wire diameter	max. AWG 12 (4 mm ²) max. AWG 14 (2.5 mm ²) 0.3 mm to max. 2.7 mm
Protective circuitry	Polarity reversal protection of operating voltage Polarity reversal protection of supply and bus
Temperature range	
Operation	23 °F to 131 °F (-5 °C to +55 °C)
Storage	-4 °F to +158 °F (-20 °C to +70 °C)
Display	
Operating and bus activity	green LED
Error indication	red LED
Additional documents	
Software description, mounting note, certificates	All additional documents are available for download at www.metz-connect.com



Data sheet
BMT-AOP4
 BACnet module with analog outputs

Page 4/4
 Part number
1108871302
 2014-05-22

Dimensional drawing

