

Data sheet

BMT-TO4

Part number
11088013

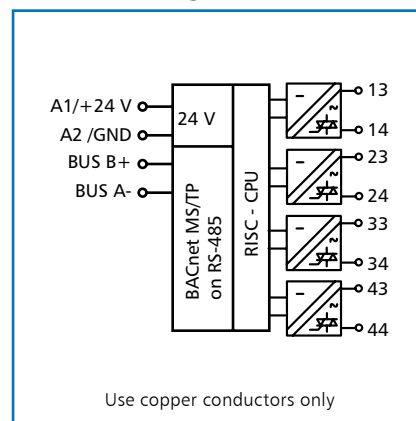
BACnet module with digital outputs

2015-03-16

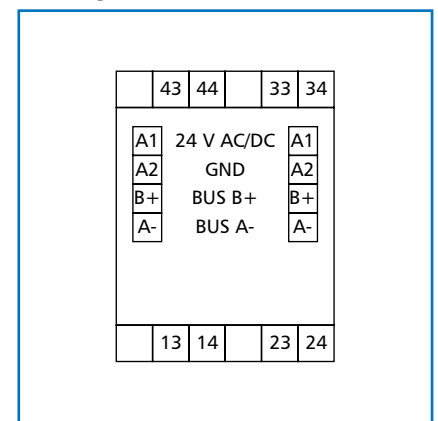
Illustrations



Principle diagram



Wiring



Product description

The BACnet MS/TP module with 4 digital triac outputs was developed for decentralized switching tasks.

It is suitable for switching electrical components, such as relays, contactors, HVAC valves, etc.

The outputs can be switched by means of standard objects via a BACnet client. In addition, the outputs can be overridden manually by means of switches on the device.

The module is addressed and the baud rate is set by means of two address switches on the front.

Suitable for decentralized mounting on DIN TH35 rail according to IEC 60715 in electrical distribution cabinets.

Data sheet
BMT-TO4
BACnet module with digital outputs

Page 2/4
Part number
11088013
 2015-03-16

Technical data

Approvals	
C-UL Certification	Open Energy Management Equipment 34TZ
BACnet interface	
Protocol	BACnet MS/TP
Address range	00 to F9
Transmission rate	9600 to 115200 Bd, factory setting 9600 Bd
Cabling	RS485 two wire bus with potential equalization in bus or line topology terminate with 120 Ohm
Supply	
Operating voltage range	20 to 28 V AC/DC (SELV)
Current consumption	100 mA (AC) / 40 mA (DC)
Relative duty cycle	100 %
Outputs	
Digital outputs	4
Switching voltage max.	24 V AC to max. 250 V AC
Continuous current	0.5 A per Triac
Switching current <30 s	0.8 A
Making current <20 ms	10 A
Housing	
Dimensions WxHxD	1.378 x 2.728 x 2.362 in. (35 x 69.3 x 60 mm)
Depth including switches	2.717 in. (69 mm)
Weight	95 g
Mounting position	any
Mounting	on TH35 rail per IEC 60715
Side-by-side mounting	Without space The maximum quantity of BACnet modules connected side-by-side is limited to 15 or to a maximum power consumption of 2 Amps (AC or DC) per connection to the power supply. For any similar block of additional modules a separate connection to the power supply is necessary.
Material	
Housing	polyamide 6.6 V0
Terminal blocks	polyamide 6.6 V0
Cover	polycarbonate
Type of protection (IEC 60529)	
Housing	IP40
Terminal blocks	IP20

Data sheet
BMT-TO4
BACnet module with digital outputs

Page 3/4
Part number
11088013
 2015-03-16

Technical data

Terminal blocks	
Supply and bus Terminal block Solid wire Stranded wire Wire diameter	4-pole max. AWG 16 (1.5 mm ²) max. AWG 18 (1.0 mm ²) 0.3 mm to max. 1.4 mm
Module connection, digital outputs Solid wire Stranded wire Wire diameter	max. AWG 12 (4 mm ²) max. AWG 14 (2.5 mm ²) 0.3 mm to max. 2.7 mm
Protective circuitry	Polarity reversal protection of operating voltage Polarity reversal protection of supply and bus
Temperature range	
Operation	23 °F to 131 °F (-5 °C to +55 °C)
Storage	-4 °F to +158 °F (-20 °C to +70 °C)
Display	
Operating and bus activity	green LED
Error indication	red LED
Status of the outputs	yellow LEDs
Additional documents	
Software description, mounting note, certificates	All additional documents are available for download at www.metz-connect.com

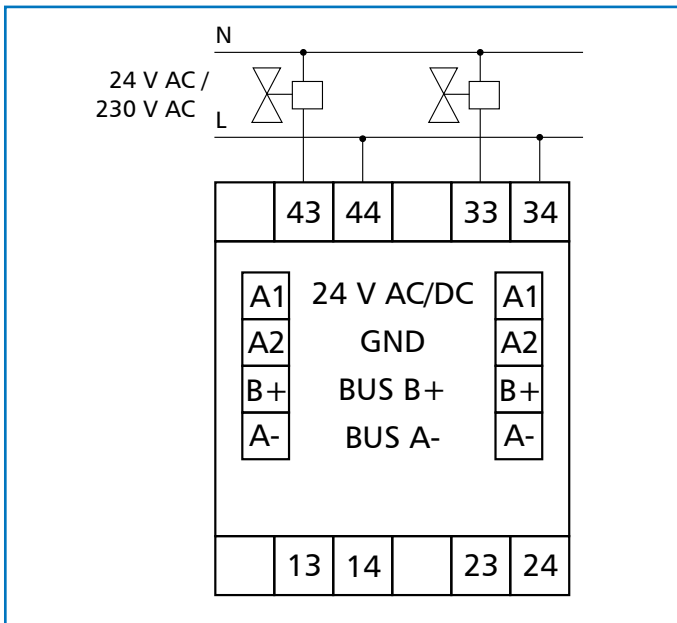


Data sheet

BMT-TO4

BACnet module with digital outputs

Connection examples



Dimensional drawing

