

Data sheet

OpDAT Industry terminal rail TS35 + SC-D MM adapter insert

Page 1/4

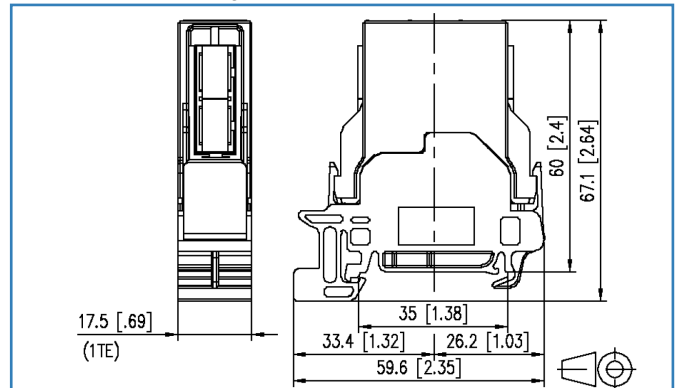
P/N
1402P06113KE
EAN 4250184119128

2017-09-05

Illustrations



Dimensional drawing



See enlarged drawings at the end of document

Product specification

- termination unit with SC-D coupler on TH35 rail to DIN EN 60715
- slotted zirconium oxide ceramics sleeve (ZrO₂) for single mode applications
- slotted metal sleeve (Ph-Br) for multi mode applications
- width of 1HP allows mounting up to 12 units in a standard electrical distribution panel
- vertical plugging direction, 90° to rail
- variants: SM, MM

OpDAT Industry terminal rail TS35 + SC-D MM adapter insert

P/N
1402P06113KE
EAN 4250184119128

2017-09-05

Technical Data

General Data

Fields of application	Office
Design	Wall outlet
Mounting style	Standard rail TH35
Transmission technology	Fiber optic
Color	light gray
Dimensions	
Dimension (L x W x H)	67.10 x 17.50 x 59.60 mm
Dimension (W)	0.689 in.
Horizontal pitch	1 TE
Mode type of the fiber	Multimode

Connections/interfaces

Connector technology interface 1	SC-D
Connector technology interface 2	SC-D
Number of ports interface 1	1
Number of ports interface 2	1
Number of equipped ports interface 1	1
Number of ports interface 2 equipped	1
Number of ports with dust protection interface 1	1
Number of ports with dust protection interface 2	1
Module plug-in direction	vertical

Mechanical characteristics

Cut-out	SC-D, LC-Q, ST-D
Connector type	Duplex
Life - Number of mating cycles	min. 500

Materials and material properties

Material - Housing	GD-Zn (zinc die-cast)
Material - Cover part(s)	Frianyl
Material - Lower housing	Frianyl
Material - Sleeve	PhBr, slotted

Data sheet

Page 3/4

OpDAT Industry terminal rail TS35 + SC-D MM adapter insert

P/N
1402P06113KE
EAN 4250184119128

2017-09-05

Technical Data

Environmental conditions

Increased robustness yes

Certifications

RoHS compliant

Classifications

ETIM 5.0	EC001121
ETIM 6.0	EC002598

Packing details

Type of packaging	10 pc(s) / box
Packaging unit - Weight (gram)	290.00 g
Packaging unit - Weight (pound)	0.64 lb
Packaging dimension (W x H x D)	205.00 x 105.00 x 89.00 mm
Packaging dimension (W x H x D)	8.071 x 4.134 x 3.504 in.



Data sheet

Page 4/4

**OpDAT Industry terminal rail TS35
+ SC-D MM adapter insert**

P/N
1402P06113KE
EAN 4250184119128

2017-09-05

Illustrations

Dimensional drawing

