

# Data Sheet

## RT145xxHBVC

Page 1/5

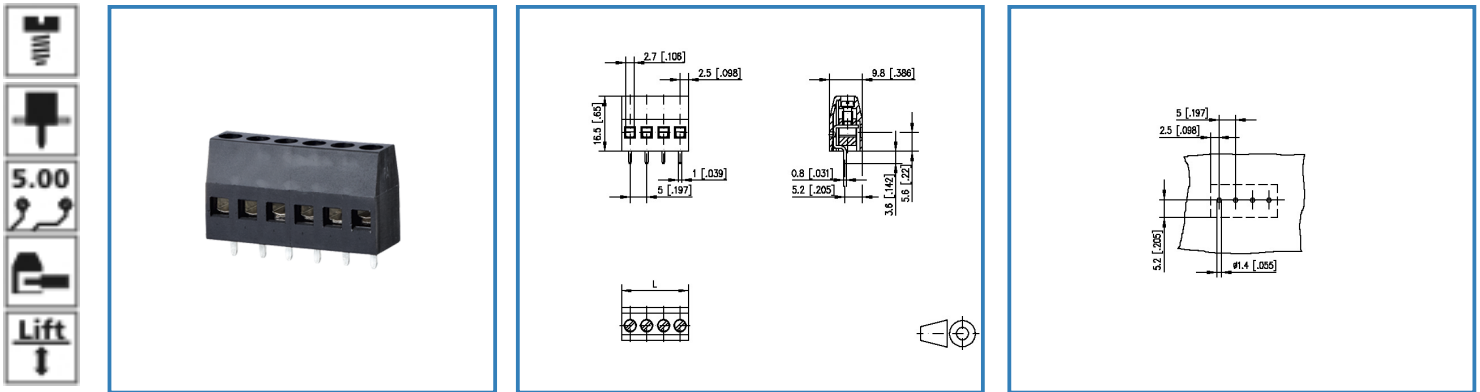
P/N

312041xx

xx=number of poles

2017/01/24

### Illustration



see enlarged drawing at the end of the document

### Product specification

- screw type terminal block, solderable
- centerline 5.00 mm, direction of connection 90°
- lift system, fittable without loss of poles
- color black

# Data Sheet

## RT145xxHBVC

Page 2/5

P/N

312041xx

xx=number of poles

2017/01/24

### Technical Data



#### General Data

Tightening torque SEV	0.5 Nm		
Tightening torque UL	6 lb-in		
Solder pin length	3.6 mm		
min. number of poles	2		
max. number of poles	12		
Insulating material class	CTI 600		
clearance/creepage dist.	4 mm		
protection category	IP 20		
Overvoltage category	III	III	II
Pollution degree	3	2	2
Rated voltage	320 V	800 V	800 V
Rated test voltage	4 kV	4.0 kV	4 kV

#### Connection data

Rated wiring solid wire	0.08 - 2.5 mm <sup>2</sup> / AWG 28 - 12		
Rated wiring stranded wire	0.08 - 2.5 mm <sup>2</sup> / AWG 28 - 12		

#### Approvals

extended wiring UL	2 AWG 16-18, or 1 AWG 16 stranded with 1 AWG 18 solid, or 1 AWG 16 stranded with 1 AWG 18 stranded		
 V / A / AWG	300 / 15 / 28 - 12		
 2.5 mm <sup>2</sup>	250 V / 16 A / T60		

#### Material

insulating material	PA66
flammability class	V0
contact material	CuZn
Glow-Wire Flammability GWFI	960
Glow-Wire Flammability GWIT	775
contact surface	Ni + Sn
terminal body material	CuZn
terminal body surface	Ni
screw surface	Zn Cr(VI)-frei/free
screw thread	M3

#### Climatic properties

upper limit temperature	105 °C
-------------------------	--------

# Data Sheet

## RT145xxHBVC

Page 3/5

P/N

312041xx

xx=number of poles

2017/01/24

lower limit temperature -40 °C

---

### General

solderability	Acc. to JEDEC JESD22-B102E 245°C/5s
Tolerance	ISO 2768 -mH

---

# Data Sheet

## RT145xxHBVC

Page 4/5

P/N

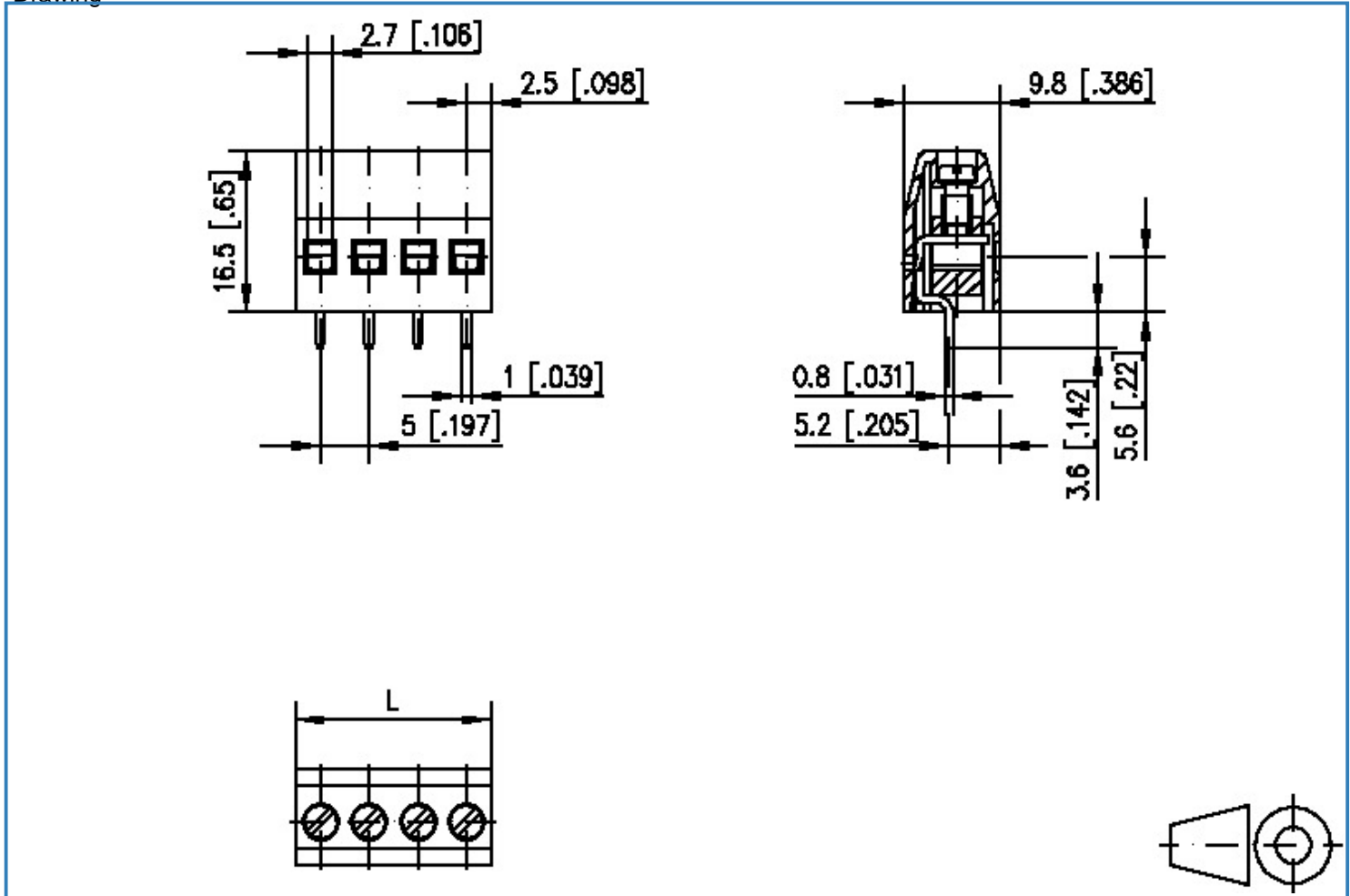
312041xx

xx=number of poles

2017/01/24

### Illustration

Drawing



$L = (\text{pole size} - 1) \times \text{centerline} + 5 [0.197]$



# Data Sheet

## RT145xxHBVC

Page 5/5

P/N

312041xx

xx=number of poles

2017/01/24

PCB Layout

