

Data sheet

RP025xxIBWU Typ 077

Page 1/6

P/N
310771xx

xx=number of poles

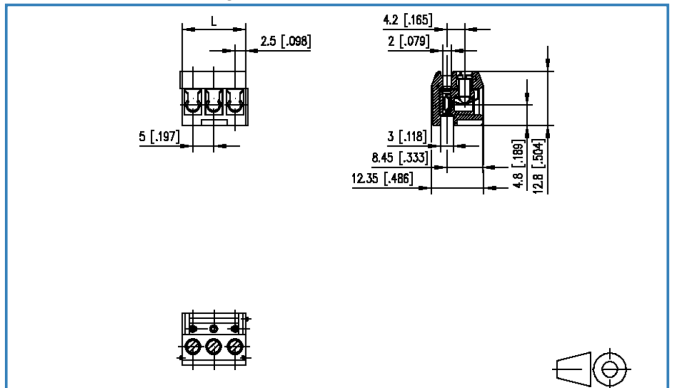
2019/10/24

Version: P

Illustrations



Dimensional drawing



See enlarged drawings at the end of document

Product specification

- screw type terminal block, pluggable
- centerline 5.00 mm, direction of connection 90°
- wire protector, modular
- color black
- wire entry perpendicular to plug direction, lamella

Technical Data


General Data			
Tightening torque SEV	0.5 Nm		
Tightening torque UL	7 lb-in		
min. number of poles	2		
max. number of poles	3		
Insulating material class	CTI 600		
clearance/creepage dist.	2.3 mm		
protection category	IP00		
Min. insul. strip length	6 mm		
Overvoltage category	III	III	II
Pollution degree	3	2	2
Rated voltage	100 V	320 V	320 V
Rated test voltage	2.5 kV	2.5 kV	2.5 kV

Connection Data	
rat.wiring solid AWGmax	0.33 mm ² - 2 mm ² / AWG 22 - AWG 14
rat.wiring strand.AWGmax	0.33 mm ² - 2 mm ² / AWG 22 - AWG 14

Approvals	
extended wiring UL	Wire range extended to No. 30 AWG for factory-wiring. Two same size wires No. 22-16 AWG Cu, Sol/Str for field-wiring; No. 30-16 AWG Cu Sol/Str factory-wiring.

 V / A / AWG	300 / 15 / 22 - 14
---	--------------------

approval UL - File No.	E121004
------------------------	---------

 2.5 mm ²	250 V / 2.5 kV / 10 A
---	-----------------------

Material	
insulating material	PA66
flammability class	V0
contact material	CuBe
contact surface	Ni + Ag
terminal body material	CuZn
terminal body surface	Ni
screw surface	Zn Cr(VI)-frei/free
wire protector material	CuSn
wire protector surface	Sn
screw thread	M3

Data sheet
RP025xxIBWU Typ 077

Page 3/6

P/N
310771xx**xx=number of poles**

2019/10/24

Version: P

Technical Data

Glow-Wire Flammability GWFI	960 °C acc. to IEC 60695-2-12
Glow-Wire Flammability GWIT	775 °C acc. to IEC 60695-2-13
REACH - substance (SVHC)	Lead / 7439-92-1

Climatic Data

upper limit temperature	105 °C
lower limit temperature	-40 °C

General

Tolerance	ISO 2768 -mH
-----------	--------------



Accessories

P/N	Designation
710121-2	710121
710122-2	710122
716846	716846
750150	750150
750151	750151



Data sheet RP025xxIBWU Typ 077

Page 5/6

P/N
310771xx

xx=number of poles

2019/10/24

Version: P

Counterpart

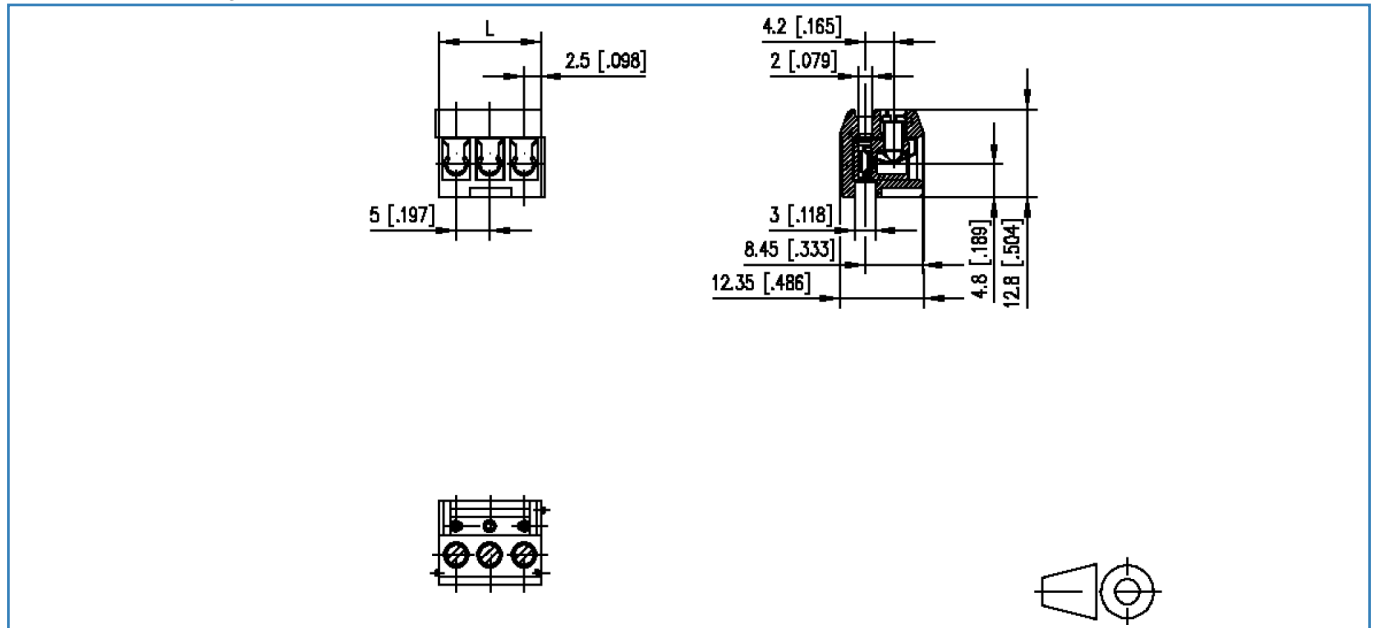
P/N	Designation
310171	PR015xxVBHC Typ 017
310271	PR015xxVBVC Typ 027
310391	PT055xxHBHC Typ 039
310411	PT065xxVBEN Typ 041
310421	PT065xxVBVN Type 042
314171	PM035xxVBHC Typ 417

© 2019 METZ CONNECT - Technische Änderungen vorbehalten! Subject to modifications! Sous réserve de modifications techniques!



Illustrations

Dimensional drawing



$L = (\text{pole size} - 1) \times \text{centerline} + 5 \text{ mm } [0.197]$

© 2019 METZ CONNECT - Technische Änderungen vorbehalten! Subject to modifications! Sous réserve de modifications techniques!