

Data Sheet

RT049xxHBWC

Page 1/5

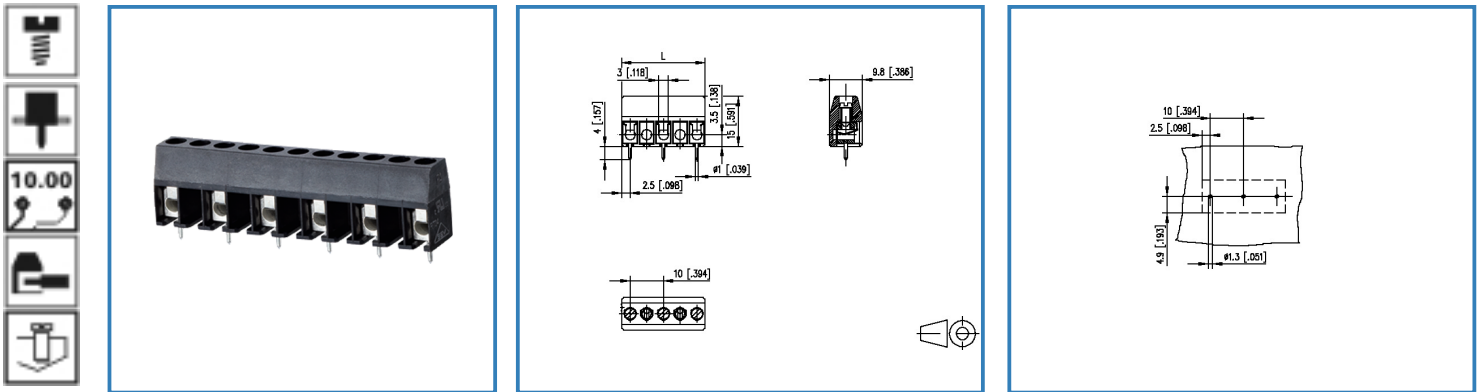
P/N

310032xx

xx=number of poles

2017/01/24

Illustration



see enlarged drawing at the end of the document

Product specification

- screw type terminal block, solderable
- centerline 10.00 mm, direction of connection 90°
- wire protector, fittable without loss of poles
- color black



Data Sheet

RT049xxHBWC

Technical Data

General Data



Tightening torque SEV	0.5 Nm		
Tightening torque UL	7 lb-in		
Solder pin length	4 mm		
min. number of poles	2		
max. number of poles	12		
Insulating material class	CTI 600		
clearance/creepage dist.	8.9 mm		
protection category	IP 20		
Overvoltage category	III	III	II
Pollution degree	3	2	2
Rated voltage	630 V	1600 V	1600 V
Rated test voltage	8.0 kV	8 kV	8.0 kV

Connection data

Rated wiring solid wire	0.34 - 2.5 mm ² / AWG 22 - 12		
Rated wiring stranded wire	0.34 - 2.5 mm ² / AWG 22 - 12		

Approvals

extended wiring UL	Wire range extended to No. 30 AWG for factory-wiring. Two same size wires No. 22-16 AWG Cu, Sol/Str for field-wiring; No. 30-16 AWG Cu Sol/Str factory-wiring.		
--------------------	--	--	--

 V / A / AWG	600 / 20 / 22 - 12		
 2.5 mm ²	630 V / 24 A / T60		

Material

insulating material	PA66		
flammability class	V0		
Glow-Wire Flammability GWFI	960		
Glow-Wire Flammability GWIT	775		
terminal body material	CuZn		
terminal body surface	Ni + Sn		
screw surface	Zn Cr(VI)-frei/free		
wire protector material	CuSn		
wire protector surface	Sn		
screw thread	M3		

Climatic properties

upper limit temperature	105 °C		
-------------------------	--------	--	--

Data Sheet

RT049xxHBWC

Page 3/5

P/N

310032xx

xx=number of poles

2017/01/24

lower limit temperature -40 °C

General

solderability	Acc. to JEDEC JESD22-B102E 245°C/5s
Tolerance	ISO 2768 -mH



Data Sheet

RT049xxHBWC

Page 4/5

P/N

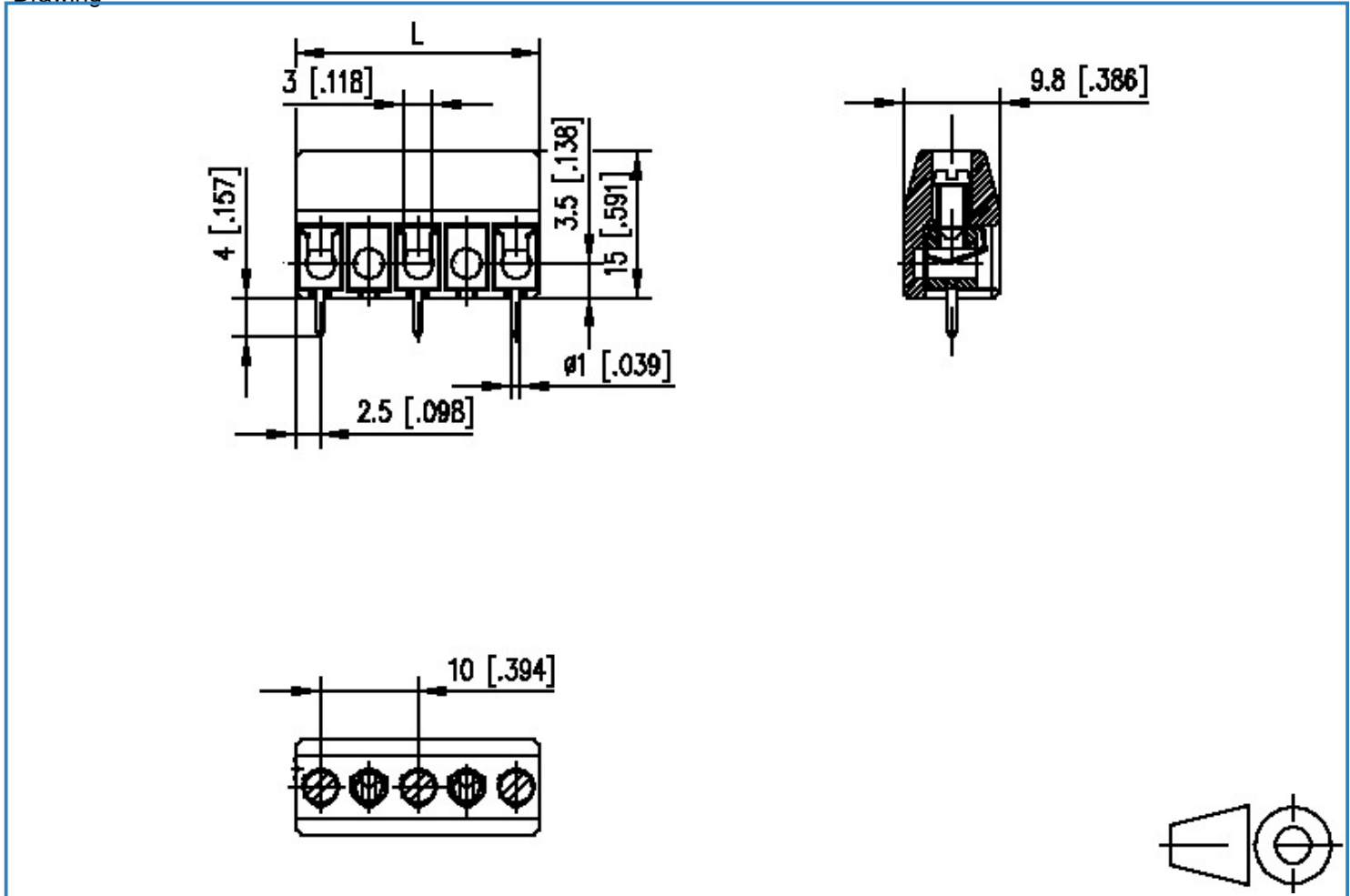
310032xx

xx=number of poles

2017/01/24

Illustration

Drawing



$$L = (\text{pole size} - 1) \times \text{centerline} + 5 \text{ [.197]}$$



Data Sheet

RT049xxHBWC

Page 5/5

P/N

310032xx

xx=number of poles

2017/01/24

PCB Layout

