

## Signal lamps with lamp socket - BA 9s (MBC/MCC), 16.2 mm, housing

**1.63.004.091/0000**

Please include the desired lens and LED / lamp in your order.



### General information

Form of lens	round protruding
Diameter of collar	20 mm

### Dimensions

Overall height	15 mm
Mounting depth	45.8 mm
Mounting hole	16.2 mm

### Mechanical design

Mounting	ring nut
Terminals	solder/quick connector 6.3x0.8 / 2x 2.8x0.8mm
Lamp socket	BA 9 s
Lamp	filament lamp

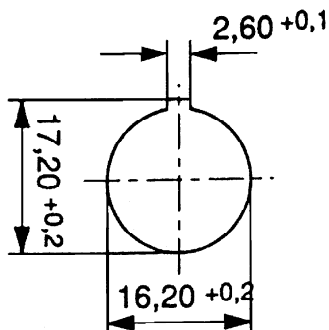
### Electrical characteristics

Voltage limit max.	250 V
Power limit max.	2 W

### Other specifications

Degree of protection from front side	IP40 (DIN EN 60529)
Weight	10 g
ROHS compliant	yes
REACH compliant	yes

Panel cut-out



Drawing with lens

