

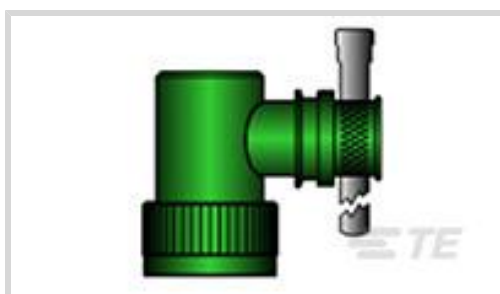
R85049/90-11Z03 ✓ ACTIVE

TE Internal #: EF8622-000

TE Internal Description: R85049/90-11Z03

Mil-Spec: [R85049/90-11Z03]

[View on TE.com >](#)



## Product Compliance

[For compliance documentation, visit the product page on TE.com>](#)

EU RoHS Directive 2011/65/EU	Not Yet Reviewed
EU ELV Directive 2000/53/EC	Compliant
China RoHS 2 Directive MIIT Order No 32, 2016	Restricted Materials Above Threshold
EU REACH Regulation (EC) No. 1907/2006	Current ECHA Candidate List: JAN 2025 (247) Candidate List Declared Against: JAN 2024 (240) SVHC > Threshold: Pb (.3% in BODY & NUT) <b>Article Safe Usage Statements:</b> Do not eat, drink or smoke when using this product. Wash thoroughly after handling. Recycle if possible and dispose of the article by following all applicable governmental regulations relevant to your geographic location.
Halogen Content	Low Halogen - Br, Cl, F, I < 900 ppm per homogenous material. Also BFR/CFR/PVC Free
Solder Process Capability	Not applicable for solder process capability

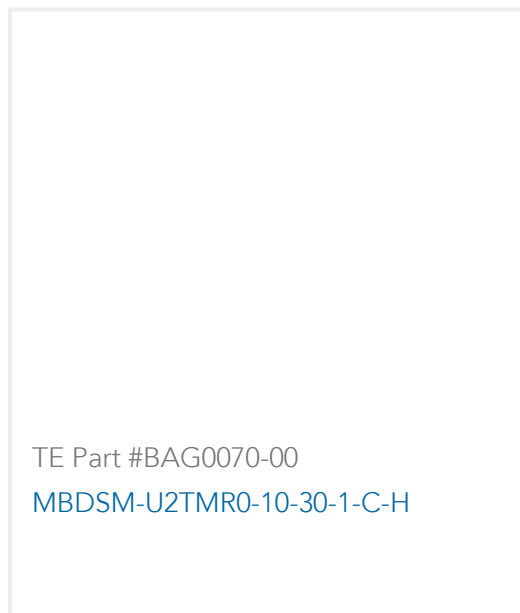
### Product Compliance Disclaimer

This information is provided based on reasonable inquiry of our suppliers and represents our current actual knowledge based on the information they provided. This information is subject to change. The part numbers that TE has identified as EU RoHS compliant have a maximum concentration of 0.1% by weight in homogenous materials for lead, hexavalent chromium, mercury, PBB, PBDE, DBP, BBP, DEHP, DIBP, and 0.01% for cadmium, or qualify for an exemption to these limits as defined in the Annexes of Directive 2011/65/EU (RoHS2). Finished electrical and electronic equipment products will be CE marked as required by Directive 2011/65/EU. Components may not be CE marked. Additionally, the part numbers that TE has identified as EU ELV compliant have a maximum concentration of 0.1% by weight in homogenous materials for lead, hexavalent chromium, and mercury, and 0.01% for cadmium, or qualify for an exemption to these limits as defined in the Annexes of Directive 2000/53/EC (ELV). Regarding the REACH Regulation, the information TE provides on SVHC in articles for this part number is based on the latest European Chemicals Agency (ECHA) 'Guidance on requirements for substances in articles' posted at this URL: <https://echa.europa.eu/guidance-documents/guidance-on-reach>

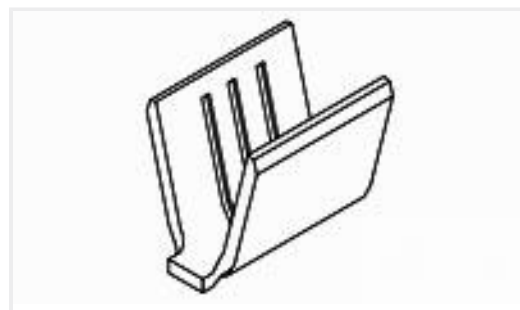
## Customers Also Bought



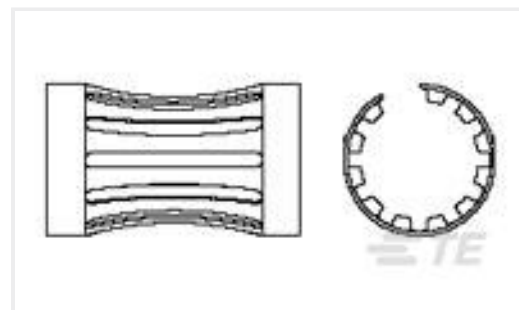
TE Part #651105-000  
S03-03-R-100



TE Part #BAG0070-00  
MBDSM-U2TMR0-10-30-1-C-H



TE Part #61492-1  
SPLICE 2048-5250 .020 BR



TE Part #1-192046-9  
LA5 .250, .006, GOLD PL



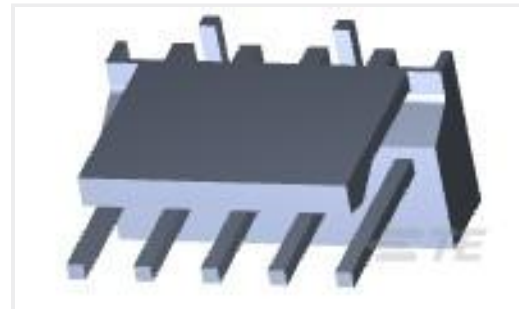
TE Part #205838-1  
CPC PLUG ASSEMBLY SIZE 11-8



TE Part #205841-2  
CPC RECPT ASSEMBLY SIZE 11-8



TE Part #324911  
TERMINAL,SOLIS R 12-10 6



TE Part #3-647166-5  
5P MTA100 HDR ASSY,SM,FL,LF



TE Part #1-2186506-1  
T3224-PRINTER-PRINthead-600DPI



TE Part #CW4049-000  
R85049/84-22W03

## Documents

### Product Drawings

[R85049/90-11Z03](#)

English

### CAD Files

Customer View Model

[ENG\\_CVM\\_CVM\\_EF8622-000\\_CA.2d\\_dxf.zip](#)

English

Customer View Model

[ENG\\_CVM\\_CVM\\_EF8622-000\\_CA.3d\\_igs.zip](#)

English

Customer View Model

[ENG\\_CVM\\_CVM\\_EF8622-000\\_CA.3d\\_stp.zip](#)

English

### 3D PDF

3D

By downloading the CAD file I accept and agree to the [Terms and Conditions](#) of use.

### Datasheets & Catalog Pages



[Circular Backshells](#)

English

---

[Product Specifications](#)

[General Harness Repair Manual](#)

English