

FDR25S-6-0 ✓ ACTIVE

TE Internal #: EL6075-000

Power Cable, FDR25S, Operating Voltage 1000 VAC, Operating Temperature Range -55 – 130 °C, 6 AWG Wire Size, Tin-Coated Copper

[View on TE.com >](#)



Wire & Cable > Power Cable



Cable Type: **FDR25S**

Operating Voltage: **1000 VAC**

Wire & Cable Insulation Material: **Radiation-Crosslinked Polyester**

Operating Temperature Range: **-55 – 130 °C**

Wire Size: **6 AWG**

Features

Product Type Features

Wall Type	Single Wall
-----------	-------------

Configuration Features

Number of Conductors	1
----------------------	---

Electrical Characteristics

Operating Voltage	1000 VAC
-------------------	----------

Body Features

Wire Color (Base)	Black
Wire & Cable Insulation Material	Radiation-Crosslinked Polyester
Conductor Material	Tin-Coated Copper

Dimensions

Wire Size	6 AWG
-----------	-------

Usage Conditions

Cable Type	FDR25S
Operating Temperature Range	-55 – 130 °C

Product Compliance

[For compliance documentation, visit the product page on TE.com>](#)



EU RoHS Directive 2011/65/EU	Compliant
EU ELV Directive 2000/53/EC	Not Yet Reviewed
China RoHS 2 Directive MIIT Order No 32, 2016	No Restricted Materials Above Threshold
EU REACH Regulation (EC) No. 1907/2006	Current ECHA Candidate List: JAN 2024 (240) Candidate List Declared Against: JAN 2024 (240) Does not contain REACH SVHC
Halogen Content	Out of Scope - excluded from Halogen requirements
Solder Process Capability	Not applicable for solder process capability

Product Compliance Disclaimer

This information is provided based on reasonable inquiry of our suppliers and represents our current actual knowledge based on the information they provided. This information is subject to change. The part numbers that TE has identified as EU RoHS compliant have a maximum concentration of 0.1% by weight in homogenous materials for lead, hexavalent chromium, mercury, PBB, PBDE, DBP, BBP, DEHP, DIBP, and 0.01% for cadmium, or qualify for an exemption to these limits as defined in the Annexes of Directive 2011/65/EU (RoHS2). Finished electrical and electronic equipment products will be CE marked as required by Directive 2011/65/EU. Components may not be CE marked. Additionally, the part numbers that TE has identified as EU ELV compliant have a maximum concentration of 0.1% by weight in homogenous materials for lead, hexavalent chromium, and mercury, and 0.01% for cadmium, or qualify for an exemption to these limits as defined in the Annexes of Directive 2000/53/EC (ELV). Regarding the REACH Regulation, the information TE provides on SVHC in articles for this part number is based on the latest European Chemicals Agency (ECHA) 'Guidance on requirements for substances in articles' posted at this URL: <https://echa.europa.eu/guidance-documents/guidance-on-reach>

Compatible Parts

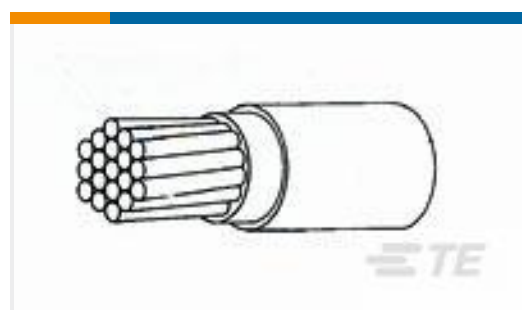


TE Part # 9-120035-5
HarnWare/HarnVis Purchase Charge



TE Part # 9-120035-6
HarnWare/HarnVis Renewal Charge

Customers Also Bought



TE Part #282236-000
44A0111-14-0



TE Part #87499-6
03 MODIV HSG COMP SR .100CL



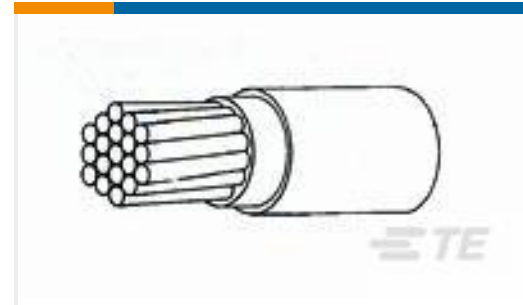
TE Part #964051-000
55PC0211-14-9



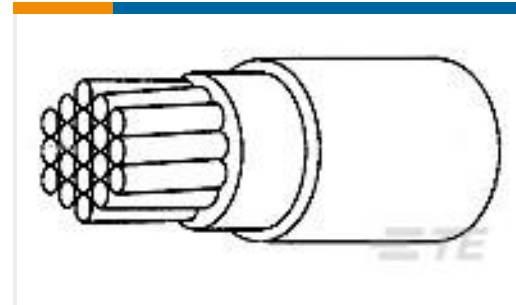
TE Part #CV25894001
RW-175-E-1/2-X-SP



TE Part #CZ0432-000
FDR25S-8-0



TE Part #7920903001
44A0111-10-0



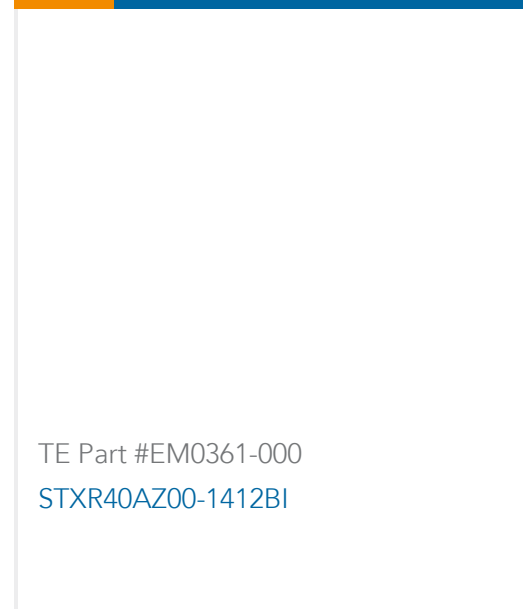
TE Part #4151613001
99M0111-24-2



TE Part #3760853001
44A0121-12-0/2



TE Part #BTM1-20-12-1-B
BTM1-20-12-1-B



TE Part #EM0361-000
STXR40AZ00-1412BI

Documents

Product Drawings

[FDR25S-6-0](#)

English

Product Specifications

[Product Specification](#)

English