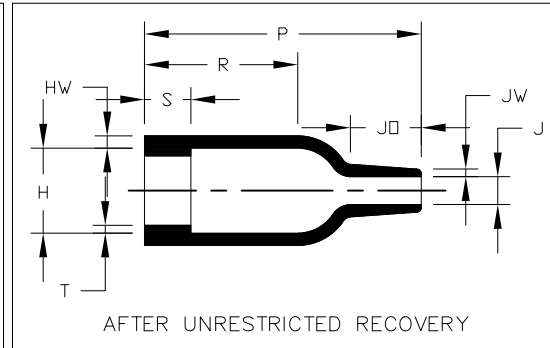
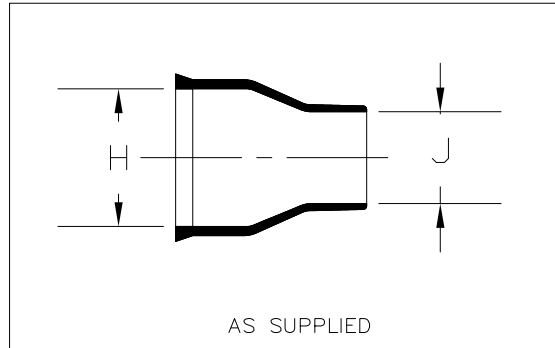


NOTES

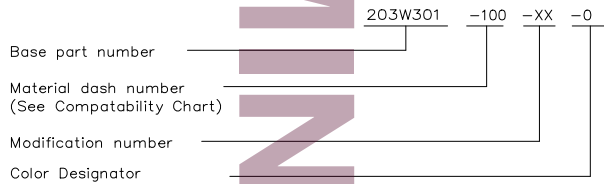
- All dimensions are in $\frac{\text{inches}}{\text{[millimeters]}}$
- Dimensions appearing in table are as follows:
 - a - As Supplied
 - b - After Unrestricted Recovery

PRELIMINARY



REVISIONS		
LTR	DESCRIPTION	DATE
1	PRELIMINARY RELEASE	6/12/18

ORDERING INFORMATION




PART NUMBER	H		J		P	R	S	T	JO	HW	JW
	Min _a	Max _b	Min _a	Max _b	±10% _b	±10% _b	±10% _b	±10% _b	±10% _b	±20% _b	±20% _b
203W301-100-0	0.39 [10,0]	0.23 [5,8]	0.24 [6,0]	0.09 [2,2]	1.14 [29,0]	0.83 [21,0]	0.12 [3,0]	.02 [0,5]	0.18 [4,5]	0.03 [0,8]	0.02 [0,5]

Raychem Molded Parts
CUSTOMER DRAWING

MATERIAL DASH NO.	MATERIAL DESCRIPTION	RT SPEC	COATING SLASH NO.
-100	POLYOLEFIN, SEMI-FLEXIBLE, ZEROHAL	RT-2082	/86, /180

THIS DRAWING AND THE INFORMATION SET FORTH HEREON ARE THE PROPERTY OF TYCO ELECTRONICS CORPORATION, AND ARE TO BE HELD IN TRUST AND CONFIDENCE. PUBLICATION, DUPLICATION, DISCLOSURE OR USE FOR ANY PURPOSE NOT EXPRESSLY AUTHORIZED IN WRITING BY TYCO ELECTRONICS CORPORATION IS PROHIBITED.

UNLESS OTHERWISE SPECIFIED DIMENSIONS ARE METRIC AND INCHES ARE IN BRACKETS. DECIMAL TOLERANCES xxx ± 0.13 (.005) xx ± 0.25 (.01) x ± 0.50 (.10) ANGLE TOLERANCE .x ± 1 DEG.	DRAWN M Mazariegos 6/12/18	APPROVED L Rodriguez 6/12/18	 TE Connectivity
	RPN	TITLE Boot, straight with lip	
CAD FILE: 203W301-100	THIRD ANGLE PROJECTION	SIZE B	CODE IDENT. NO. 06090
TYCO ELECTRONICS RESERVES THE RIGHT TO AMEND THIS DRAWING AT ANY TIME. USERS SHOULD EVALUATE THE SUITABILITY OF THE PRODUCT FOR THEIR APPLICATION.	DWG. NO. 203W301-100		SHEET 1 OF 1

© 2018 Tyco Electronics Corporation. All rights reserved. DO NOT SCALE THIS DRAWING