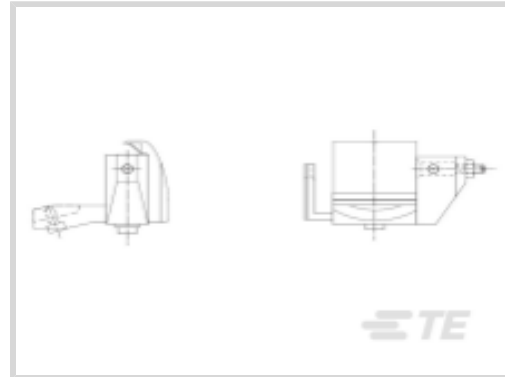




Application Tooling > Heat Shrink Equipment



Equipment Processing Type: **Discrete**

Applicable Region: **Worldwide**

Heat Shrink Equipment Application: **In-Line Splice**

Tooling Type: **Adaptor Assembly**

Spare Parts Tooling Type: **IR-1759 MiniRay Infrared Heating Tool**

## Features

### Product Type Features

Spare Parts Tooling Type	IR-1759 MiniRay Infrared Heating Tool
--------------------------	---------------------------------------

### Product Availability

Applicable Region	Worldwide
-------------------	-----------

### Other

Equipment Processing Type	Discrete
---------------------------	----------

Heat Shrink Equipment Application	In-Line Splice
-----------------------------------	----------------

Tooling Type	Adaptor Assembly
--------------	------------------

## Product Compliance

[For compliance documentation, visit the product page on TE.com>](#)

EU RoHS Directive 2011/65/EU	Compliant
------------------------------	-----------

EU ELV Directive 2000/53/EC	Compliant
-----------------------------	-----------

China RoHS 2 Directive MIIT Order No 32, 2016	No Restricted Materials Above Threshold
---	---

EU REACH Regulation (EC) No. 1907/2006	Current ECHA Candidate List: JAN 2025 (247) Candidate List Declared Against: JUN 2020 (209) Does not contain REACH SVHC
--	---

Halogen Content	Low Halogen - Br, Cl, F, I < 900 ppm per homogenous material. Also BFR/CFR/PVC Free
-----------------	---

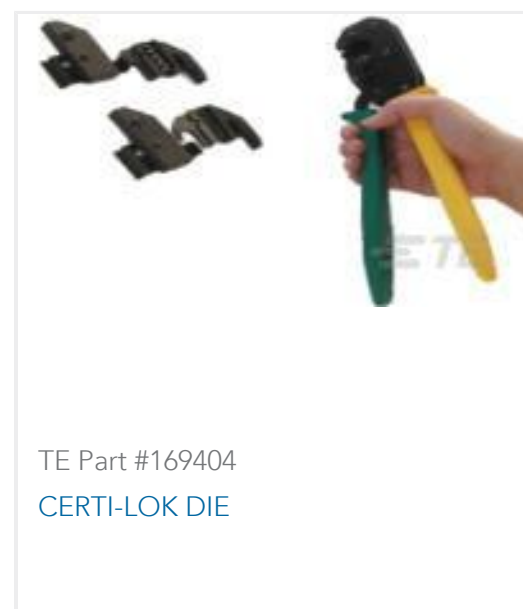
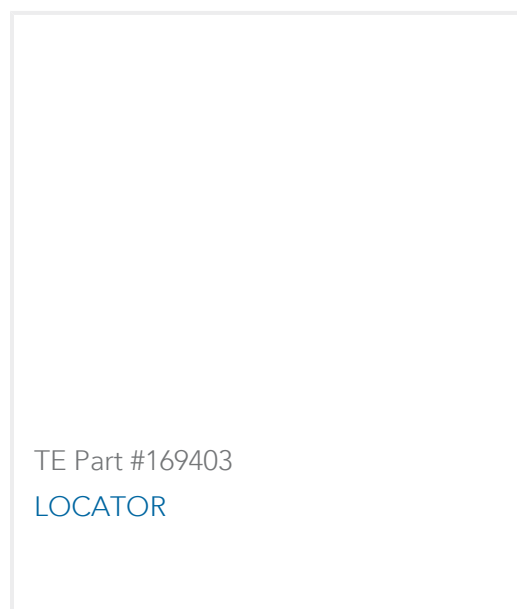
Solder Process Capability

Not applicable for solder process capability

## Product Compliance Disclaimer

This information is provided based on reasonable inquiry of our suppliers and represents our current actual knowledge based on the information they provided. This information is subject to change. The part numbers that TE has identified as EU RoHS compliant have a maximum concentration of 0.1% by weight in homogenous materials for lead, hexavalent chromium, mercury, PBB, PBDE, DBP, BBP, DEHP, DIBP, and 0.01% for cadmium, or qualify for an exemption to these limits as defined in the Annexes of Directive 2011/65/EU (RoHS2). Finished electrical and electronic equipment products will be CE marked as required by Directive 2011/65/EU. Components may not be CE marked. Additionally, the part numbers that TE has identified as EU ELV compliant have a maximum concentration of 0.1% by weight in homogenous materials for lead, hexavalent chromium, and mercury, and 0.01% for cadmium, or qualify for an exemption to these limits as defined in the Annexes of Directive 2000/53/EC (ELV). Regarding the REACH Regulation, the information TE provides on SVHC in articles for this part number is based on the latest European Chemicals Agency (ECHA) 'Guidance on requirements for substances in articles' posted at this URL: <https://echa.europa.eu/guidance-documents/guidance-on-reach>

## Customers Also Bought



## Documents

## Datasheets &amp; Catalog Pages

Raychem Application Tooling

English

## Product Specifications

Operation and Maintenance Manual for Miniray Handtools and Controllers

English

## Instruction Sheets

Mini-ray Tool IR1759-MK5-AT3130-EDCont

Mini-ray Tool IR1759-MK5-AT3130-EDCont

Mini-ray Tool IR1759-MK5-AT3130-EDCont

English

Mini-ray Tool IR1759-MK5-AT3130-EDCont

German

Mini-ray Tool IR1759-MK5-AT3130-EDCont

Mini-ray Tool IR1759-MK5-AT3130-EDCont

French

## Agency Approvals



[CE Technical File](#)

English

[CE Technical File](#)

English