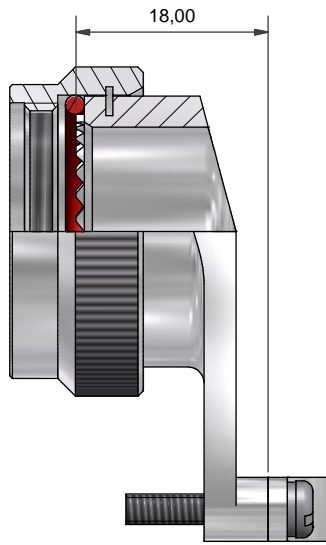
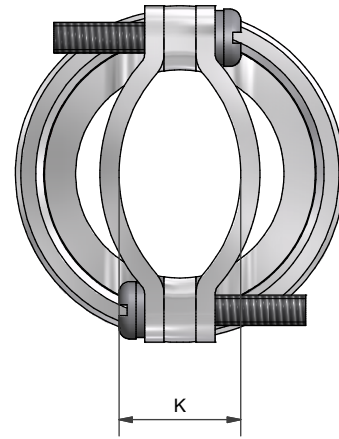
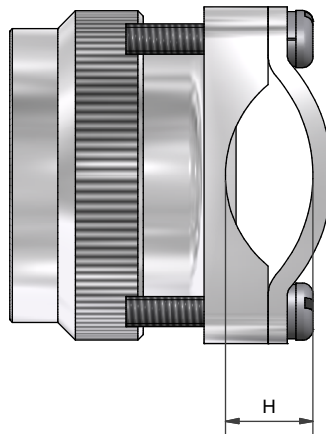


ANGLE 1



ANGLE 3



DRAWN K. WINCZURA SALES APPR DESIGN APPR DIW PROD APPR QUAL APPR ISSUE 2 WEIGHT DCR GENERAL TOL LINEAR +/-0,25MM ANGULAR +/-1°	DATE 28/02/2012 29/02/2012	3RD ANGLE PROJECTION NOT TO SCALE THIS DRAWING IS COPYRIGHT AND THE PROPERTY OF POLAMCO LTD. IT MUST NOT BE COPIED, USED FOR MANUFACTURE OR OTHERWISE DISCLOSED WITHOUT PRIOR WRITTEN CONSENT OF THE COMPANY.	<b>POLAMCO LTD</b> www.polamco.com WESTON LOCK LOWER BRISTOL ROAD BATH BA2 1EP	PAGE 1 ASSY USED ON: VG 96912 TITLE: <b>STRAIN RELIEF BACKSHELL</b> PART NUMBER: <b>96M SERIES</b>	UNLESS OTHERWISE SPECIFIED ALL DIMENSIONS IN MILLIMETRES MATERIAL NCAGE CODE U5792 DRAWING NO: <b>P10228</b>
---	----------------------------------	--	--	---	--

SHELL SIZE	A THREAD	ØB MAX	C MAX	ØE MAX	K MAX	H MAX
08	7/16 -28UNEF	17,3	21,5	7,1	6,2	5,0
10	9/16 -24UNEF	20,3	21,5	10,5	7,4	5,6
12	11/16 -24UNEF	23,8	23,5	13,4	9,0	6,2
14	13/16 -20UNEF	26,8	23,5	16,5	10,9	6,9
16	15/16 -20UNEF	29,8	24,5	19,7	11,9	7,4
18	1 1/16 -18UNEF	33,3	27,5	22,2	15,4	8,9
20	1 3/16 -18UNEF	36,3	34,5	25,6	17,3	9,8
22	1 5/16 -18UNEF	39,8	34,5	28,5	24,4	10,9
24	1 7/16 -18UNEF	42,8	34,5	31,7	23,3	11,9

96M1-16-1-C

SERIES \_\_\_\_\_  
CONNECTOR INTERFACE \_\_\_\_\_  
ANGLE \_\_\_\_\_  
SHELL SIZE \_\_\_\_\_  
MATERIAL (SEE P16019) \_\_\_\_\_  
PLATING (SEE P16019) \_\_\_\_\_

DRAWN K. WINCZURA	DATE 28/02/2012	 3RD ANGLE PROJECTION NOT TO SCALE	 <b>POLAMCO LTD</b> www.polamco.com	WESTON LOCK LOWER BRISTOL ROAD BATH BA2 1EP	PAGE 2	UNLESS OTHERWISE SPECIFIED ALL DIMENSIONS IN MILLIMETRES
SALES APPR						
DESIGN APPR DIW	29/02/2012	THIS DRAWING IS COPYRIGHT AND THE PROPERTY OF POLAMCO LTD. IT MUST NOT BE COPIED, USED FOR MANUFACTURE OR OTHERWISE DISCLOSED WITHOUT PRIOR WRITTEN CONSENT OF THE COMPANY.	ASSY USED ON: VG 96912			MATERIAL
PROD APPR			TITLE: <b>STRAIN RELIEF BACKSHELL</b>			
QUAL APPR			PART NUMBER: <b>96M SERIES</b>			NCAGE CODE U5792
ISSUE 2	DCR					DRAWING NO: <b>P10228</b>
WEIGHT	GENERAL TOL LINEAR +/-0,25MM ANGULAR +/-1°					