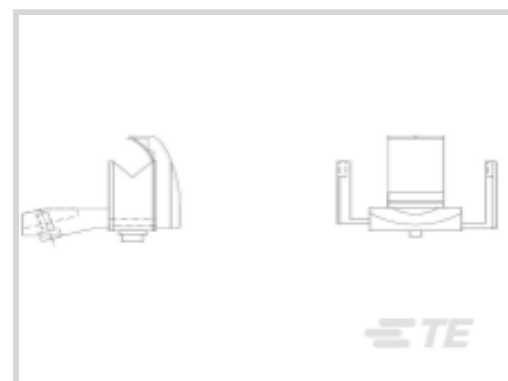




Application Tooling > Heat Shrink Equipment



Equipment Processing Type: **Discrete**

Applicable Region: **Worldwide**

Heat Shrink Equipment Application: **In-Line Splice**

Tooling Type: **Adaptor Assembly**

Spare Parts Tooling Type: **IR-1759 MiniRay Infrared Heating Tool**

Features

Product Type Features

Spare Parts Tooling Type	IR-1759 MiniRay Infrared Heating Tool
--------------------------	---------------------------------------

Product Availability

Applicable Region	Worldwide
-------------------	-----------

Other

Equipment Processing Type	Discrete
Heat Shrink Equipment Application	In-Line Splice
Tooling Type	Adaptor Assembly

Product Compliance

[For compliance documentation, visit the product page on TE.com>](#)

EU RoHS Directive 2011/65/EU	Compliant
EU ELV Directive 2000/53/EC	Compliant
China RoHS 2 Directive MIIT Order No 32, 2016	No Restricted Materials Above Threshold
EU REACH Regulation (EC) No. 1907/2006	Current ECHA Candidate List: JAN 2025 (247) Candidate List Declared Against: JUN 2020 (209) Does not contain REACH SVHC
Halogen Content	Low Halogen - Br, Cl, F, I < 900 ppm per homogenous material. Also BFR/CFR/PVC



Free

Solder Process Capability

Not applicable for solder process capability

Product Compliance Disclaimer

This information is provided based on reasonable inquiry of our suppliers and represents our current actual knowledge based on the information they provided. This information is subject to change. The part numbers that TE has identified as EU RoHS compliant have a maximum concentration of 0.1% by weight in homogenous materials for lead, hexavalent chromium, mercury, PBB, PBDE, DBP, BBP, DEHP, DIBP, and 0.01% for cadmium, or qualify for an exemption to these limits as defined in the Annexes of Directive 2011/65/EU (RoHS2). Finished electrical and electronic equipment products will be CE marked as required by Directive 2011/65/EU. Components may not be CE marked. Additionally, the part numbers that TE has identified as EU ELV compliant have a maximum concentration of 0.1% by weight in homogenous materials for lead, hexavalent chromium, and mercury, and 0.01% for cadmium, or qualify for an exemption to these limits as defined in the Annexes of Directive 2000/53/EC (ELV). Regarding the REACH Regulation, the information TE provides on SVHC in articles for this part number is based on the latest European Chemicals Agency (ECHA) 'Guidance on requirements for substances in articles' posted at this URL: <https://echa.europa.eu/guidance-documents/guidance-on-reach>

Customers Also Bought



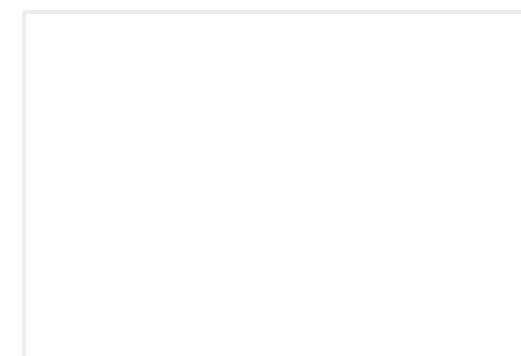
TE Part #ZPF00000000019464
FDDBA 56-18-32 SN-K 090



TE Part #ZPF00000000020158
FMJ 11E 20-09 G



TE Part #ZPF000000000137993
787-8055-13M



TE Part #ZPF00000000011574
BJE 52



TE Part #ZPF000000000121739
182-0862-22



TE Part #576781
HHHT PIDG PEEK STRATO 16 ASSY



TE Part #1577620-1
TERMINAL RT PIDG PEEK STRATO 24-22 AWG



TE Part #1577623-1
TERMINAL, PEEK PIDG STRATO, 20AWG



TE Part #1577646-1
TERMINAL RT PIDG PEEK STRATO 10 AWG



TE Part #ZPF00000000018576
FDDBA 50-24-31 PN-K 090

Documents

- [Datasheets & Catalog Pages](#)
- [Raychem Application Tooling](#)



English

Product Specifications

[Operation and Maintenance Manual for Miniray Handtools and Controllers](#)

English

Instruction Sheets

[Mini-ray Tool IR1759-MK5-AT3130-EDCont](#)

[Mini-ray Tool IR1759-MK5-AT3130-EDCont](#)

[Mini-ray Tool IR1759-MK5-AT3130-EDCont](#)

English

[Mini-ray Tool IR1759-MK5-AT3130-EDCont](#)

German

[Mini-ray Tool IR1759-MK5-AT3130-EDCont](#)

[Mini-ray Tool IR1759-MK5-AT3130-EDCont](#)

French

Agency Approvals

[CE Technical File](#)

English

[CE Technical File](#)

English