

Raychem

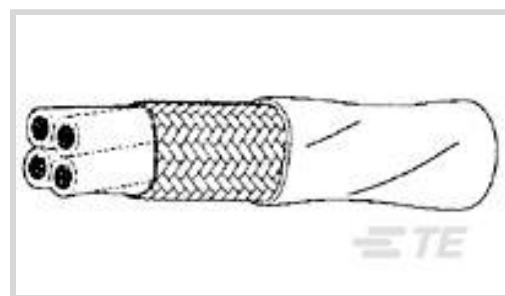
TE Internal #: CB2480-000

Multicore Cable, Spec 55, Multicore Cable Conductor Diameter .

012 in [.31 mm], 600V Multicore Cable Voltage Rating

[View on TE.com >](#)

Wire & Cable > Multicore Cable

Multicore Cable Type: **Spec 55**Multicore Cable Conductor Diameter: **.31 mm [.012 in]**Number of Strands: **7**Strand Size: **38 AWG**Multicore Cable Overall Outside Diameter: **2.06 mm [.081 in]**

Features

Product Type Features

Product Classification	Cable - High Performance - Spec 44, 55 & RCW
Product Type	Cable
Multicore Cable Type	Spec 55
Multicore Cable Shielded	Yes
Multicore Cable Style	Flat Braided Shielded & Jacketed

Configuration Features

Number of Strands	7
Number of Multicore Cable Conductors	4
Conductor Configuration	Flat Quad

Electrical Characteristics

Multicore Cable Voltage Rating	600 V
--------------------------------	-------

Body Features

Multicore Cable Shield Material	Tin-Plated Copper
Multicore Cable Insulation Material	Modified ETFE
Multicore Cable Jacket Color	White
Multicore Cable Wire Color	Blue, Green, Red, Yellow
Multicore Cable Conductor Material	Silver-Coated High Strength Copper Alloy

Dimensions



	.005 in
Multicore Cable Conductor Diameter	.31 mm[.012 in]
Strand Size	38 AWG
Multicore Cable Overall Outside Diameter	2.06 mm[.081 in]
Wire Size	.051 mm ²
Multicore Cable Wire Diameter	.61 mm[.024 in]

Usage Conditions

Operating Temperature Range	-65 – 150 °C
-----------------------------	--------------

Other

Wire Source	United Kingdom, United States
-------------	-------------------------------

Product Compliance

[For compliance documentation, visit the product page on TE.com>](#)

EU RoHS Directive 2011/65/EU	Not Compliant
EU ELV Directive 2000/53/EC	Not Compliant
China RoHS 2 Directive MIIT Order No 32, 2016	Restricted Materials Above Threshold
EU REACH Regulation (EC) No. 1907/2006	Current ECHA Candidate List: JUL 2021 (219) Candidate List Declared Against: JAN 2021 (211) SVHC > Threshold: Cd (.6% in Conductor) Article Safe Usage Statements: Use personal protective equipment as required. Do not eat, drink or smoke when using this product. Recycle if possible and dispose of the article by following all applicable governmental regulations relevant to your geographic location.
Halogen Content	Out of Scope - excluded from Halogen requirements
Solder Process Capability	Not applicable for solder process capability

Product Compliance Disclaimer

This information is provided based on reasonable inquiry of our suppliers and represents our current actual knowledge based on the information they provided. This information is subject to change. The part numbers that TE has identified as EU RoHS compliant have a maximum concentration of 0.1% by weight in homogenous materials for lead, hexavalent chromium, mercury, PBB, PBDE, DBP, BBP, DEHP, DIBP, and 0.01% for cadmium, or qualify for an exemption to these limits as defined in the Annexes of Directive 2011/65/EU (RoHS2). Finished electrical and electronic equipment products will be CE marked as required by Directive 2011/65/EU. Components may not be CE marked. Additionally, the part numbers that TE has identified as EU ELV compliant have a maximum concentration of 0.1% by weight in homogenous materials for lead, hexavalent chromium, and mercury, and 0.01% for cadmium, or qualify for an exemption to these limits as defined in the Annexes of Directive 2000/53/EC (ELV). Regarding the REACH Regulation, the information TE provides on SVHC in articles for this part number is based on the latest European Chemicals Agency (ECHA) 'Guidance on requirements for substances in articles' posted at this URL: <https://echa.europa.eu/guidance-documents/guidance-on-reach>

Customers Also Bought



TE Part #2221385-1
TJ F/B, SZ20, MODULE W/5
RESISTORS



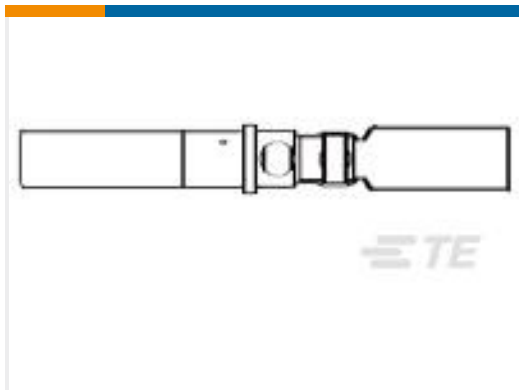
TE Part #641330-000
D-104-31CS2825




TE Part #493312-000
D-108-12CS2825



TE Part #702935-000
D-500-0255-543-3



TE Part #488105N007
D-602-0127



TE Part #171246-000
D-621-0412-JD



TE Part #5053514004
RNF-100-4-4-SP



TE Part #679872-000
55FB2521-22-7L/7L6-0



TE Part #CP9020-000
55FB2521-20-7L/7L6-0

Documents

Product Drawings
55/2144-30-2/4/5/6-9
English

Product Specifications
Product Specification
English